

6

5

4

3

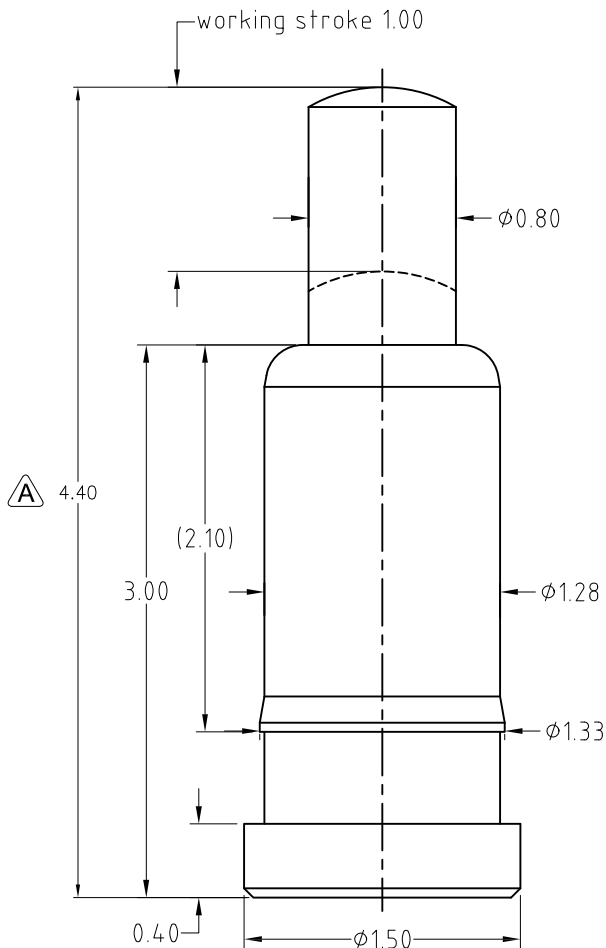
2

1

APPROVED: \_\_\_\_\_

DATE: \_\_\_\_\_ TITLE: \_\_\_\_\_

Rev	AWO #	Description	Date	Appr
-		RELEASED	9/28/22	
A		UPDATE DIM	10/6/22	WX/YC1



SPECIFICATIONS:

Material:

Barrel: Lead Free Brass, 40u" Gold over Nickel plated  
 Plunger: Lead Free Brass, 40u" Gold over Nickel plated  
 Spring: SUS, Gold Plated

Electrical:

Rated Voltage: 12 VDC  
 Rated Current: 1 A  
 Contact Resistance: 50m Ω max

Mechanical:

Contact Force: 30±10gf @ 1.0mm working stroke  
 Durability: 10,000 Cycles min

Environmental:

Lead free, RoHS compliant.



UNLESS OTHERWISE SPECIFIED ALL DIMENSIONS  
 ARE MILLIMETERS. TOLERANCES: EXCEPT AS NOTED

MM	ANGLE
0-6 ± 0.05	± 2°
6-30 ± 0.10	
>30 ± 0.15	



909 Rahway Avenue,  
 Union, NJ 07083  
 Phone: 908-687-5000  
 Fax: 908-687-5710

DRAWN	WX	9/28/22
CHECKED	YC1	9/28/22
APPROVED		

TITLE		
DIP SPRING LOADED PIN, STRAIGHT		

THIS DRAWING CONTAINS INFORMATION THAT IS PROPRIETARY  
 AND SHOULD NOT BE USED WITHOUT PRIOR WRITTEN  
 PERMISSION FROM ADAM TECH

SIZE	PART NO.	REV.
X	PH-MVF-3044-40/40	A
REF: S00170C	SCALE: NTS	SHEET 1 OF 1

6

5

4

3

2

1