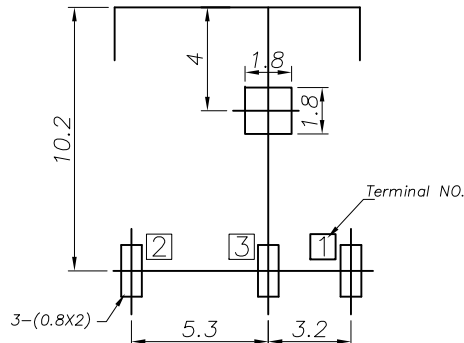
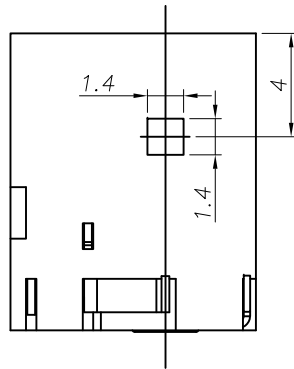
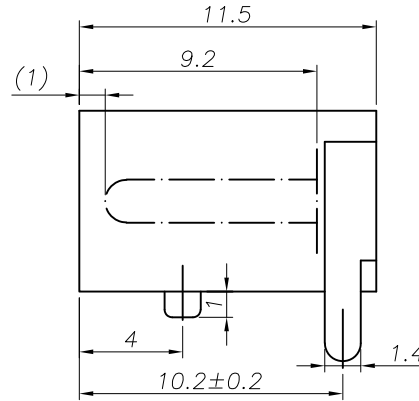
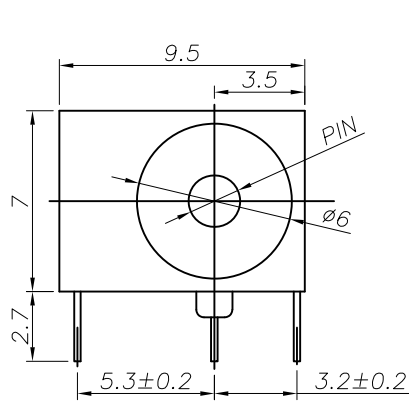


APPROVED: _____

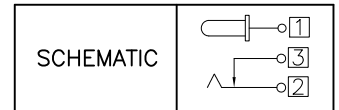
DATE: _____ TITLE: _____

Rev	AWO #	Description	Date	Appr
-		RELEASED	5/10/12	
A		REVISED DIM.	1/23/13	
B		UPDATE DRAWING	9/26/24	LH/AC1



RECOMMENDED PCB LAYOUT

PART NO.	CENTER PIN DIA.
ADC-045-1	2.00
ADC-045-2	2.50
ADC-045-9	1.65



SPECIFICATIONS:

Material:
 Insulator: Hi-temp thermoplastic, rated UL 94V-0
 Insulator color: Black
 Center Pin: Brass, Tin plated
 Center Pin Contacts: Brass
 Tip Spring: Phosphor Bronze
 Shunt Terminal: Brass
 Plating:
 Silver over Nickel underplate
 Electrical:
 Voltage rating: 25V DC max.
 Current rating: 3 Amp max.
 Contact resistance: 50 mohms max.
 Insulation resistance: 100 Mohms min @250V DC
 Dielectric withstanding voltage: 500V AC
 Environmental:
 Lead free, RoHS compliant



UNLESS OTHERWISE SPECIFIED ALL DIMENSIONS ARE MILLIMETERS. TOLERANCES: EXCEPT AS NOTED

MM ± 0.15 ANGLE ± 2°

DRAWN	AY	5/10/12
CHECKED	OC	5/10/12
APPROVED		

THIS DRAWING CONTAINS INFORMATION THAT IS PROPRIETARY AND SHOULD NOT BE USED WITHOUT PRIOR WRITTEN PERMISSION FROM ADAM TECH

ADAM TECH 909 Rahway Avenue,
 Union, NJ 07083
 Phone: 908-687-5000
 Fax: 908-687-5710

TITLE: 1.65mm, 2.00mm, 2.50mm CENTER PIN DC POWER JACK, HI-TEMP

SIZE X	PART NO. ADC-045-X-HT	REV. B
REF: S00002C	SCALE: NTS	SHEET 1 OF 2