

6

5

4

3

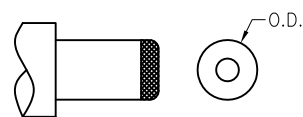
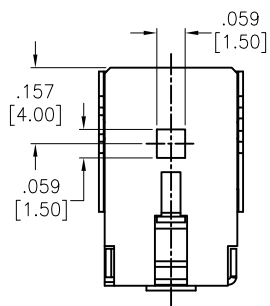
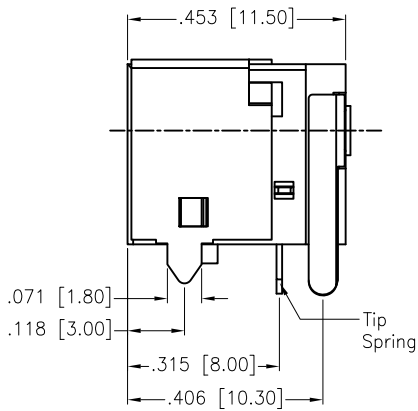
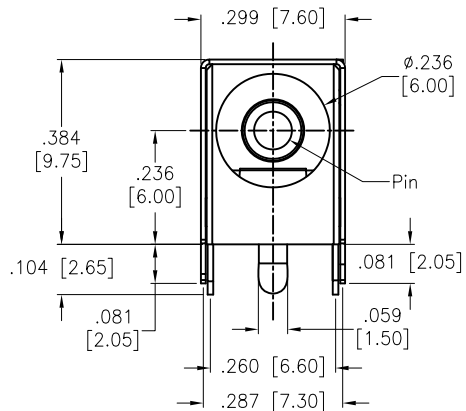
2

1

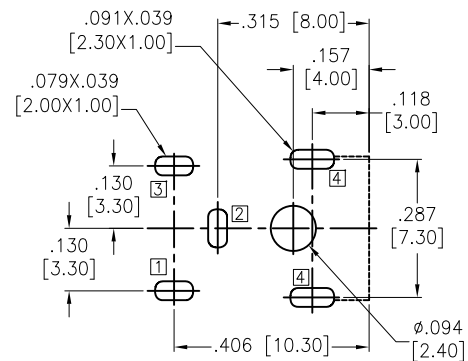
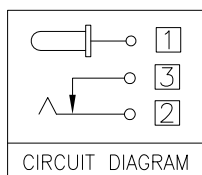
APPROVED: _____

DATE: _____ TITLE: _____

Rev	AWO #	Description	Date	Appr
-		RELEASED	5/6/16	



DC MATE PLUG



RECOMMENDED PCB LAYOUT (COPPER SIDE VIEW)

PART NO.	PIN	O.D.
ADC-043B-9-FS	ø.065 [1.65]	ø.157 [4.00]
ADC-043B-1-FS	ø.079 [2.00]	ø.217 [5.50]
ADC-043B-5-FS	ø.093 [2.35]	ø.217 [5.50]
ADC-043B-2-FS	ø.098 [2.50]	ø.217 [5.50]

SPECIFICATIONS:

Material:

Insulator: PBT, Glass reinforced, rated UL 94V-0

Insulator color: Black

Center Pin: Brass, Nickel plated

Contacts: Brass

Tip Spring : Stainless Steel

Shield: Brass, Nickel plated

Plating:

Silver over Copper underplate overall

Electrical:

Voltage rating: 20 VDC

Current rating: 3 A

Contact resistance: 30 mohms max.

Insulation resistance: 100 Mohms min. @ 250 VDC

Dielectric withstanding voltage: 500 VAC for 1 minute

Environmental:

Lead free, RoHS compliant



UNLESS OTHERWISE SPECIFIED
 ALL DIMENSIONS ARE INCHES [MM]
 TOLERANCES: EXCEPT AS NOTED

INCHES	HOLES
.X ± .10	Ø.X ± .10
.XX ± .020	Ø.XX ± .015
.XXX ± .015	Ø.XXX ± .010

APPROVALS		DATE
DRAWN	HR	5/6/16
CHECKED	CH	5/6/16
APPROVED		

ADAM TECH
INTERCONNECTS

909 Rahway Avenue,
 Union, NJ 07083
 Phone: 908-687-5000
 Fax: 908-687-5710

TITLE: DC POWER JACK, 1.65mm, 2.00mm, 2.35mm, 2.50mm, CENTER PIN

SIZE	PART NO.	REV.
X	ADC-043B-X-FS	-
REF: S00002C	SCALE: NTS	SHEET 1 OF 1

6

5

4

3

2

1