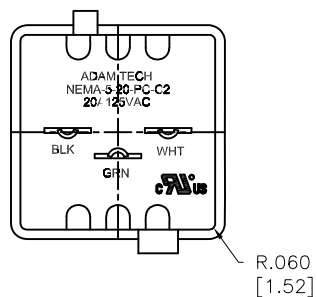
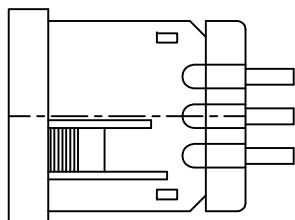
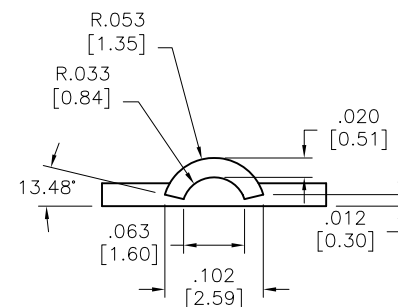
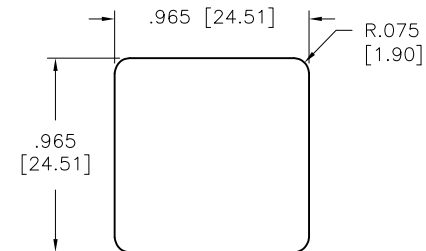
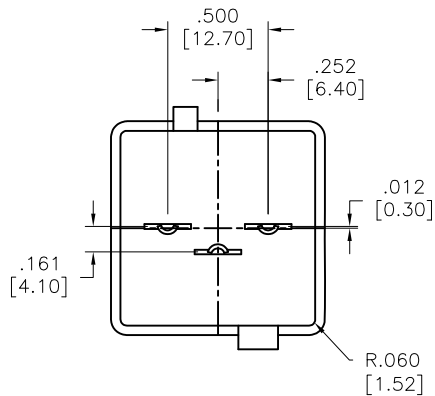
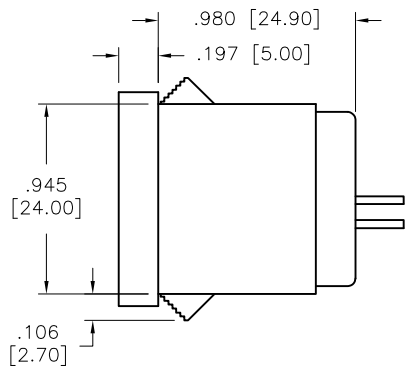
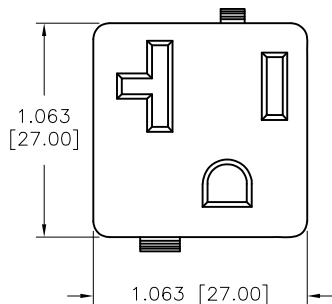
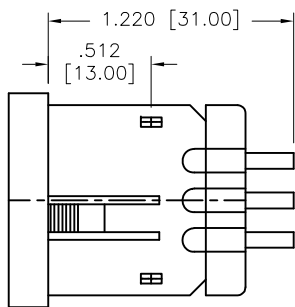


APPROVED: _____

DATE: _____ TITLE: _____

Rev	AWO #	Description	Date	Appr
-		RELEASED	10/29/09	
A		Updated plating to Matte Tin over Nickel on tails	11/02/09	
B		REDRAWN	2/6/13	
C		TERMINAL & INTERNAL STRUCTURE CHANGES	12/8/23	SLS



SPECIFICATIONS:

Material:
Insulator: PA66, rated UL 94V-0
Insulator color: Black

Contacts: Copper Alloy

Plating:
Tin over Copper underplate overall

Electrical:
Current rating: C-ULus: 20A @ 125V
Insulation resistance: 100 Mohms min @ 500 VDC
Dielectric withstanding voltage: 3,000 VAC for 1 minute

Environmental:
Lead free, RoHS compliant



UNLESS OTHERWISE SPECIFIED ALL DIMENSIONS ARE INCHES [MM] TOLERANCES: EXCEPT AS NOTED			
INCHES		HOLES	
.X	± .10	∅X	± .10
.XX	± .020	∅.XX	± .015
.XXX	± .015	∅.XXX	± .010

APPROVALS		DATE
DRAWN	SS	10/29/09
CHECKED		
APPROVED		

ADAM TECH

909 Rahway Avenue, Union, NJ 07083
Phone: 908-687-5000 Fax: 908-687-5710

TITLE			
NEMA RECEPTACLE, 20 AMP VERTICAL MOUNT PCB			
SIZE	PART NO.	REV.	
X	NEMA-5-20-PC-C2	C	
REF:	S00087C	SCALE: NTS	SHEET 1 OF 1