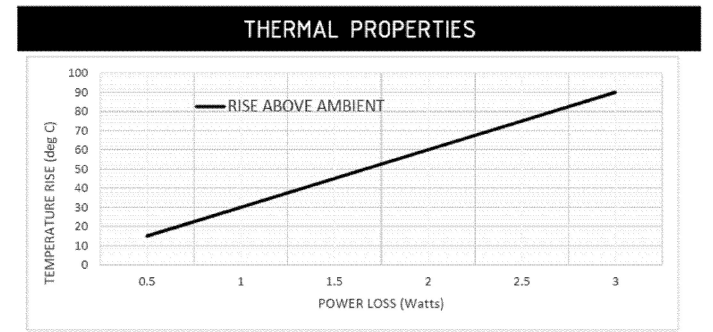
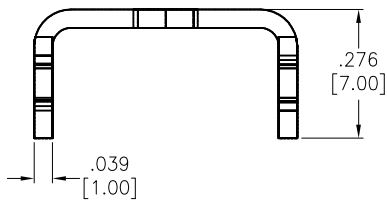
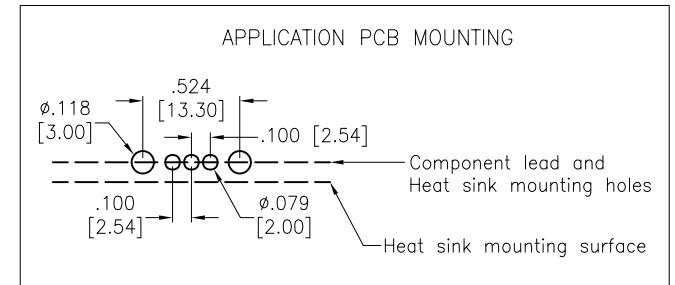
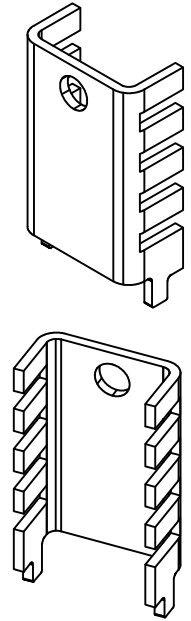
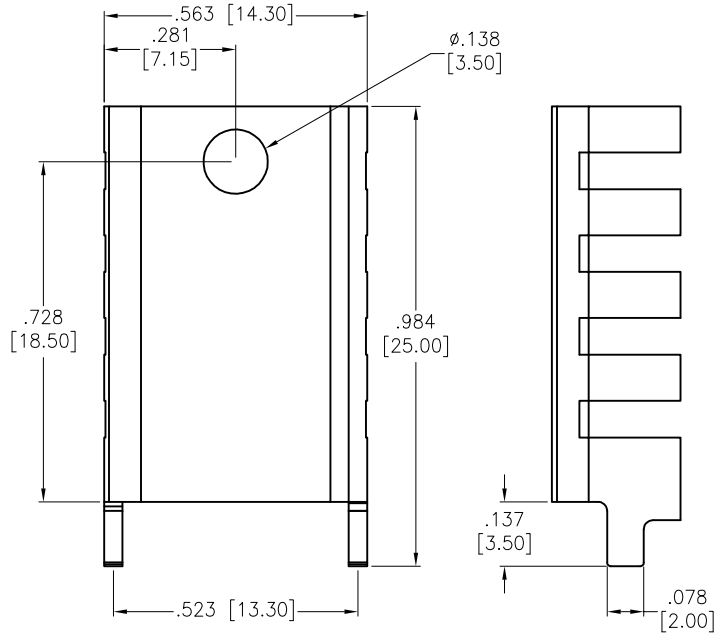


APPROVED: _____

DATE: _____ TITLE: _____

Rev	AWO #	Description	Date	Aprr
-		RELEASED	1/17/25	
A		UPDATE DRAWING	3/21/25	WY/RC



SPECIFICATIONS:
 Material: Aluminium
 Surface finish: Black Anodised
 Suitable for: TO-220 Package
 Thermal resistance: 30 DEG C/WATT
 Environmental:
 Lead free, RoHS compliant



UNLESS OTHERWISE SPECIFIED ALL DIMENSIONS ARE INCHES [MM]. TOLERANCES: EXCEPT AS NOTED

INCHES		HOLES	
.X	\pm .10	ϕ .X	\pm .10
.XX	\pm .020	ϕ .XX	\pm .015
.XXX	\pm .015	ϕ .XXX	\pm .010

DRAWN	WY	1/17/25
CHECKED	RC	1/17/25
APPROVED		

THIS DRAWING CONTAINS INFORMATION THAT IS PROPRIETARY AND SHOULD NOT BE USED WITHOUT PRIOR WRITTEN PERMISSION FROM ADAM TECH

ADAM TECH

909 Rahway Avenue,
 Union, NJ 07083
 Phone: 908-687-5000
 Fax: 908-687-5710

TITLE	HEAT SINK, BOARD LEVEL, STAMPED, FOR TO-220 PACKAGE	
SIZE	PART NO.	REV.
X	HSK-069	A
REF:	-	SCALE: NTS SHEET 1 OF 1