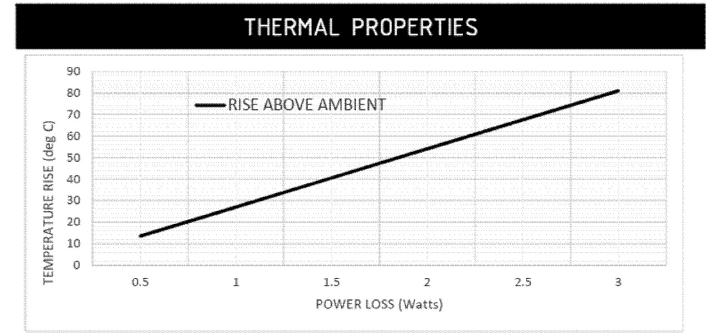
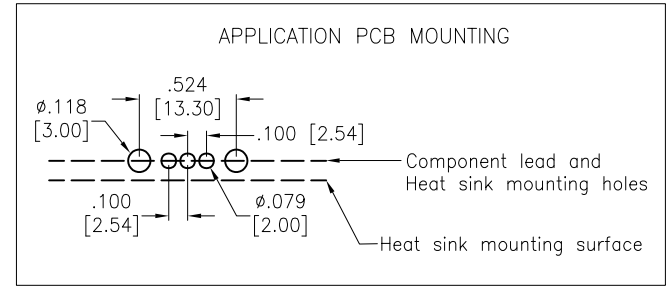
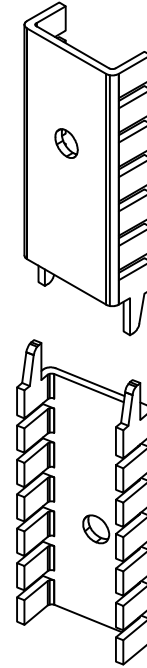
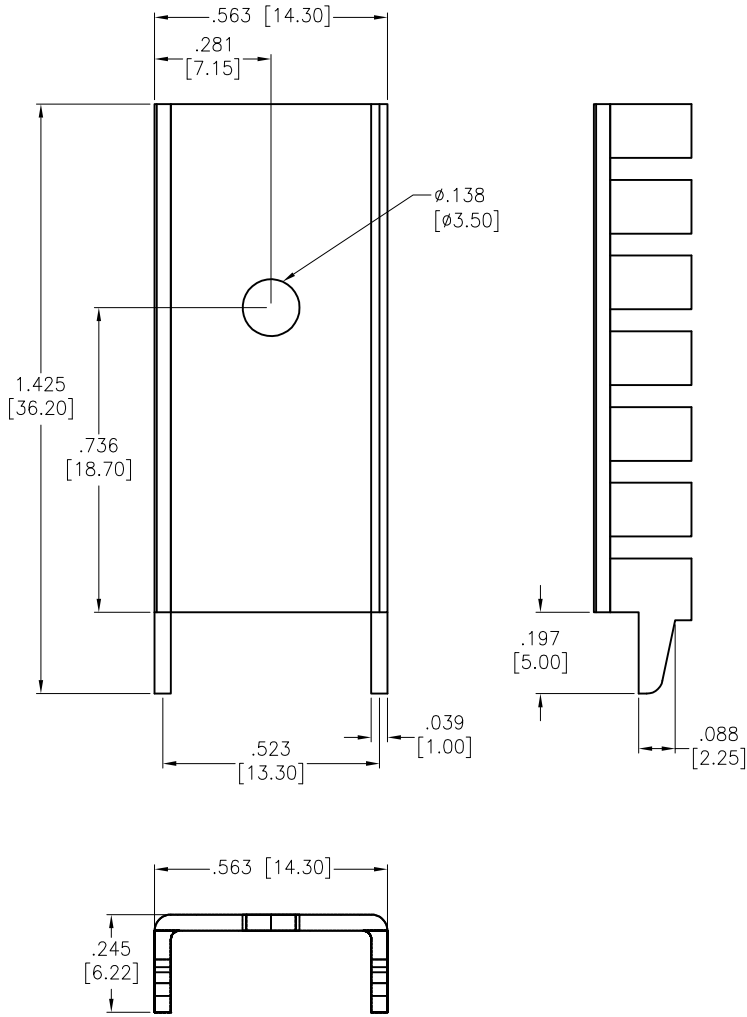


APPROVED: _____

DATE: _____ TITLE: _____

Rev	AWO #	Description	Date	Apr
-		RELEASED	1/17/25	
A		UPDATE DRAWING	3/21/25	WY/RC



SPECIFICATIONS:
 Material: Aluminum
 Surface finish: Black Anodised
 Suitable for: To-220
 Thermal resistance: 27 Deg C/Watt
Environmental:
 Lead free, RoHS compliant.



UNLESS OTHERWISE SPECIFIED ALL DIMENSIONS ARE INCHES [MM]. TOLERANCES: EXCEPT AS NOTED

INCHES		HOLES	
.X	\pm .10	ϕ .X	\pm .10
.XX	\pm .020	ϕ .XX	\pm .015
.XXX	\pm .015	ϕ .XXX	\pm .010

DRAWN	LW1	1/17/25
CHECKED	RC	1/17/25
APPROVED		
THIS DRAWING CONTAINS INFORMATION THAT IS PROPRIETARY AND SHOULD NOT BE USED WITHOUT PRIOR WRITTEN PERMISSION FROM ADAM TECH		



909 Rahway Avenue,
 Union, NJ 07083
 Phone: 908-687-5000
 Fax: 908-687-5710

TITLE		HEAT SINK, BOARD LEVEL, STAMPED, FOR TO-220 PACKAGE	
SIZE	PART NO.	REV.	
X	HSK-068	A	
REF:	-	SCALE:	NTS
		SHEET	1 OF 1