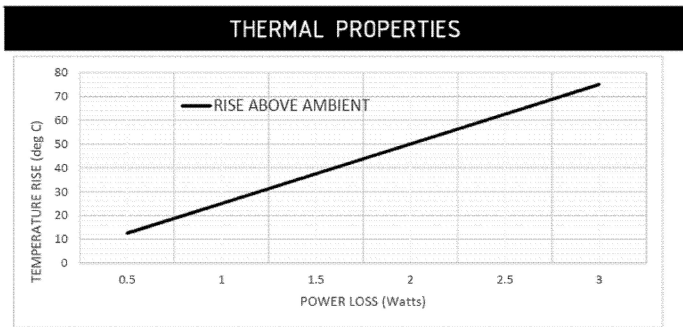
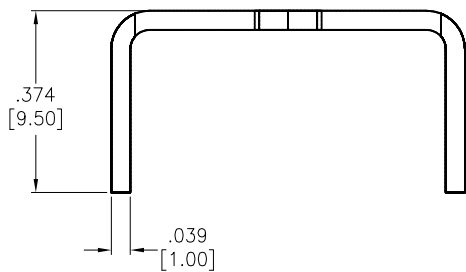
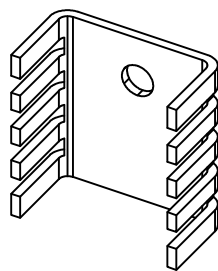
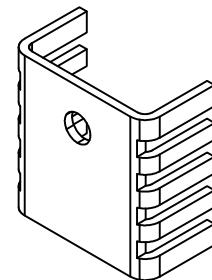
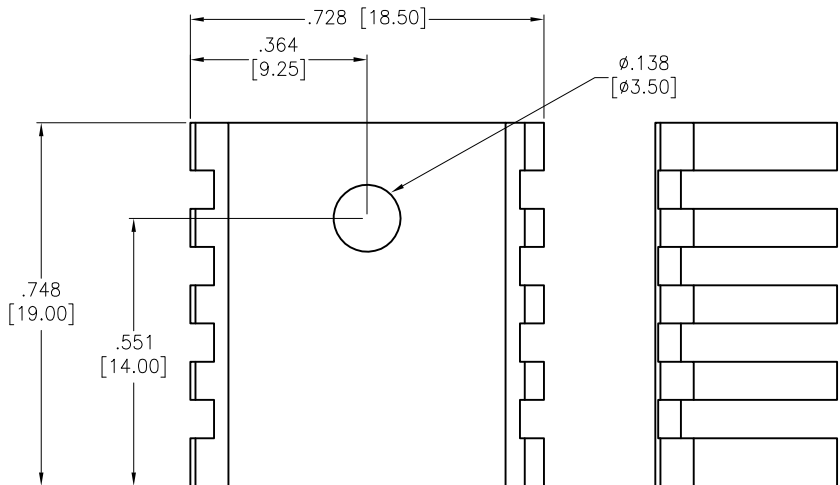


APPROVED: _____

DATE: _____ TITLE: _____

Rev	AWO #	Description	Date	Appr
-		RELEASED	1/17/25	
A		UPDATE DRAWING	3/21/25	WY/RC



SPECIFICATIONS:
 Material: Aluminium
 Surface finish: Black Anodised
 Suitable for: TO-220 Package
 Thermal resistance: 25 DEG C/WATT
 Environmental:
 Lead free, RoHS compliant



UNLESS OTHERWISE SPECIFIED ALL DIMENSIONS ARE INCHES [MM]. TOLERANCES: EXCEPT AS NOTED		
INCHES		HOLES
.X ± .10	Ø.X ± .10	
.XX ± .020	Ø.XX ± .015	
.XXX ± .015	Ø.XXX ± .010	
DRAWN	WY	1/17/25
CHECKED	RC	1/17/25
APPROVED		
THIS DRAWING CONTAINS INFORMATION THAT IS PROPRIETARY AND SHOULD NOT BE USED WITHOUT PRIOR WRITTEN PERMISSION FROM ADAM TECH		

ADAM TECH
 909 Rahway Avenue,
 Union, NJ 07083
 Phone: 908-687-5000
 Fax: 908-687-5710

TITLE		HEAT SINK, BOARD LEVEL, STAMPED, FOR TO-220 PACKAGE	
SIZE	PART NO.	REV.	
X	HSK-067	A	
REF:	-	SCALE:	NTS
		SHEET	1 OF 1