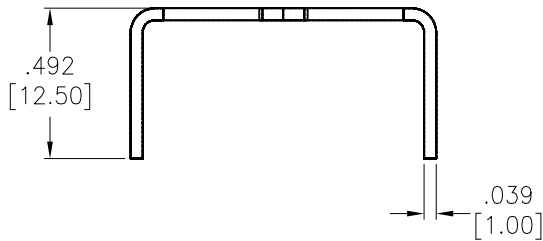
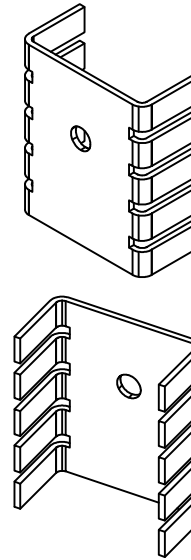
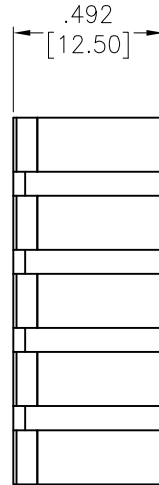
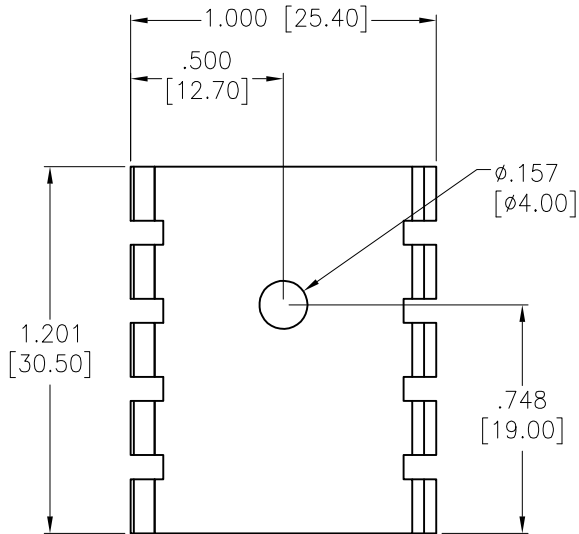


APPROVED: _____

DATE: _____ TITLE: _____

Rev	AWO #	Description	Date	Appr
-		RELEASED	1/17/25	
A		UPDATE DRAWING	3/21/25	WY/RC



THERMAL PROPERTIES



SPECIFICATIONS:

Material: Aluminum
 Surface finish: Black Anodised
 Suitable for: To-220 Package
 Thermal resistance: 20 Deg C/Watt

Environmental:

Lead free, RoHS compliant.



UNLESS OTHERWISE SPECIFIED ALL DIMENSIONS ARE INCHES [MM]. TOLERANCES: EXCEPT AS NOTED

INCHES		HOLES	
.X	± .10	Ø.X	± .10
.XX	± .020	Ø.XX	± .015
.XXX	± .015	Ø.XXX	± .010

DRAWN	LW1	1/17/25
CHECKED	RC	1/17/25
APPROVED		

THIS DRAWING CONTAINS INFORMATION THAT IS PROPRIETARY AND SHOULD NOT BE USED WITHOUT PRIOR WRITTEN PERMISSION FROM ADAM TECH



909 Rahway Avenue,
 Union, NJ 07083
 Phone: 908-687-5000
 Fax: 908-687-5710

TITLE		HEAT SINK, BOARD LEVEL, STAMPED, FOR TO-220 PACKAGE	
SIZE	PART NO.	REV.	
X	HSK-064	A	
REF:	-	SCALE:	NTS
		SHEET	1 OF 1