

6

5

4

3

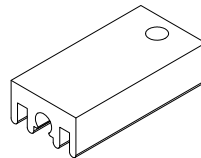
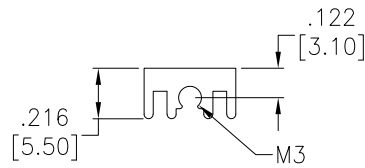
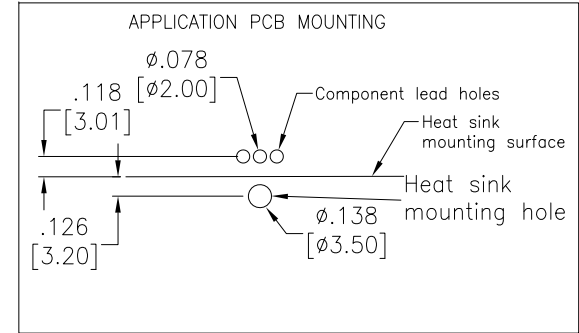
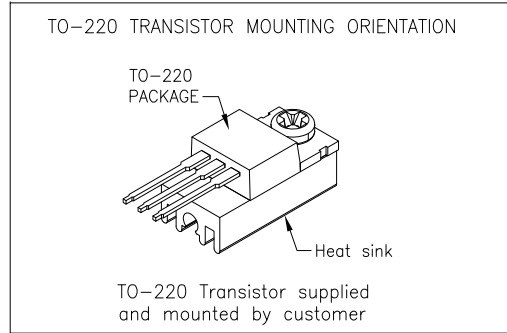
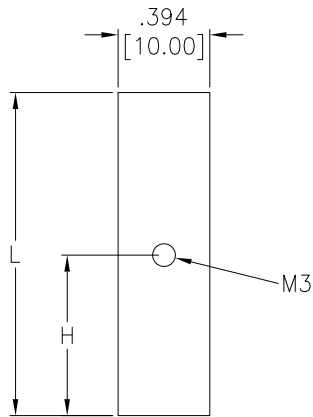
2

1

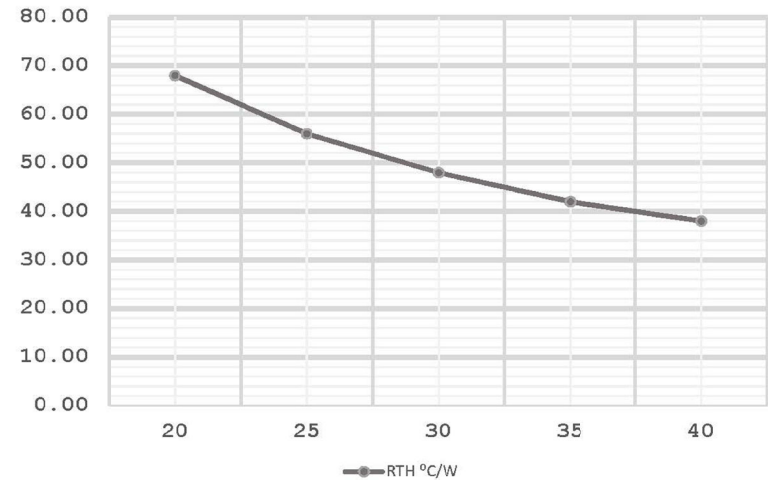
APPROVED: _____

DATE: _____ TITLE: _____

Rev	AWO #	Description	Date	Appr
-		RELEASED	7/26/24	



length (mm) vs R_{TH} (°C/Watt)



HSK-059-XX

ADAM TECH P/N	DIM "L"	DIM "H"	RTH °C/W	PACKAGE
HSK-059-01	.787 [20.00]	.689 [17.50]	68.00	TO-220
HSK-059-02	.984 [25.00]	.689 [17.50]	56.00	TO-220
HSK-059-03	1.181 [30.00]	.689 [17.50]	48.00	TO-220
HSK-059-04	1.378 [35.00]	.689 [17.50]	42.00	TO-220
HSK-059-05	1.575 [40.00]	.689 [17.50]	38.00	TO-220

SPECIFICATIONS:

Material:
 Body: Aluminum 6063, Black Anodized
 Environmental:
 Lead free, RoHS compliant



UNLESS OTHERWISE SPECIFIED ALL DIMENSIONS ARE INCHES [MM]. TOLERANCES: EXCEPT AS NOTED

INCHES		HOLES	
.X	± .10	∅.X	± .10
.XX	± .020	∅.XX	± .015
.XXX	± .015	∅.XXX	± .010



909 Rahway Avenue,
 Union, NJ 07083
 Phone: 908-687-5000
 Fax: 908-687-5710

DRAWN	SS	8/19/24
CHECKED	SS	8/19/24
APPROVED		

TITLE: HEAT SINK, BOARD LEVEL, EXTRUDED, FOR TO-220 TRANSISTOR PACKAGE

THIS DRAWING CONTAINS INFORMATION THAT IS PROPRIETARY AND SHOULD NOT BE USED WITHOUT PRIOR WRITTEN PERMISSION FROM ADAM TECH

SIZE	PART NO.	REV.
X	HSK-059-XX	-
REF:	SCALE: NTS	SHEET 1 OF 1

6

5

4

3

2