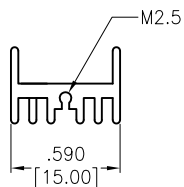
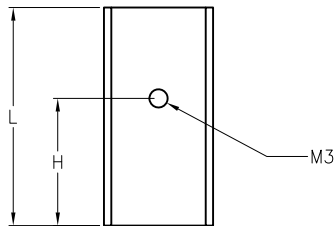


APPROVED: _____
 DATE: _____ TITLE: _____

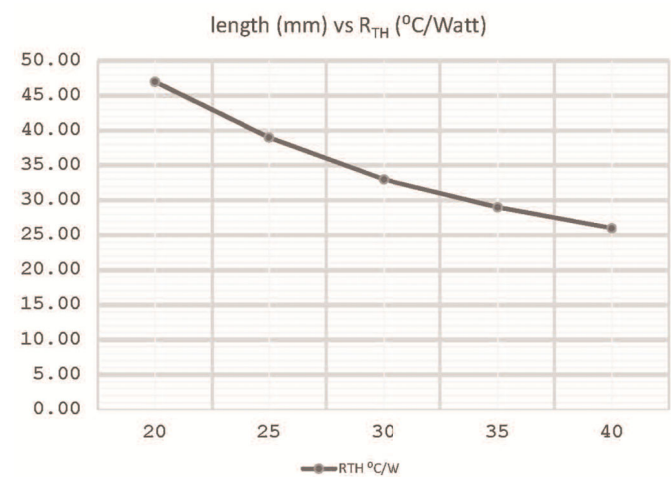
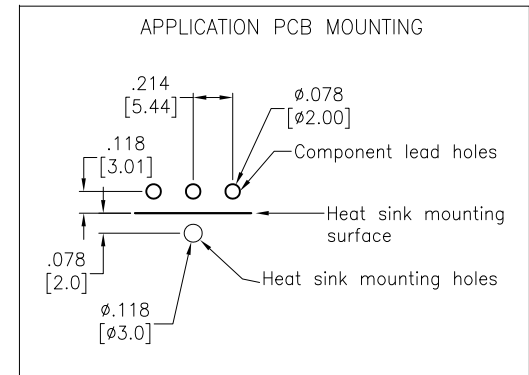
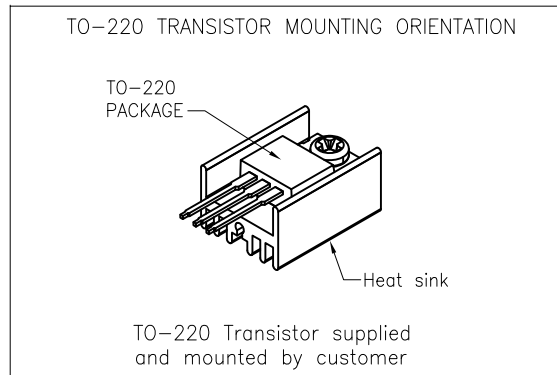
Rev	AWO #	Description	Date	Appr
-		RELEASED	6/18/24	



RECOMMENDED SCREW SIZE: M3 X 10MM

HSK-051-XX

ADAM TECH P/N	DIM "L"	DIM "H"	RTH °C/W	PACKAGE
HSK-051-01	.787 [20.00]	.689 [17.50]	47.00	TO-220
HSK-051-02	.984 [25.00]	.689 [17.50]	39.00	TO-220
HSK-051-03	1.181 [30.00]	.689 [17.50]	33.00	TO-220
HSK-051-04	1.378 [35.00]	.689 [17.50]	29.00	TO-220
HSK-051-05	1.575 [40.00]	.689 [17.50]	26.00	TO-220



SPECIFICATIONS:
 Material:
 Body: Aluminum 6063, Black Anodized
 Environmental:
 Lead free, RoHS compliant



UNLESS OTHERWISE SPECIFIED ALL DIMENSIONS ARE INCHES [MM]. TOLERANCES: EXCEPT AS NOTED

INCHES		HOLES	
.X	± .10	Ø.X	± .10
.XX	± .020	Ø.XX	± .015
.XXX	± .015	Ø.XXX	± .010



909 Rahway Avenue,
 Union, NJ 07083
 Phone: 908-687-5000
 Fax: 908-687-5710

DRAWN	JJ	6/18/24
CHECKED	RC	6/18/24
APPROVED		

TITLE: HEAT SINK, BOARD LEVEL, EXTRUDED, FOR TO-220/TO-247 TRANSISTOR PACKAGE

THIS DRAWING CONTAINS INFORMATION THAT IS PROPRIETARY AND SHOULD NOT BE USED WITHOUT PRIOR WRITTEN PERMISSION FROM ADAM TECH

SIZE	PART NO.	REV.
X	HSK-051-XX	-
REF:	SCALE: NTS	SHEET 1 OF 1