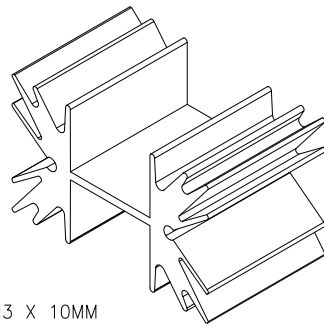
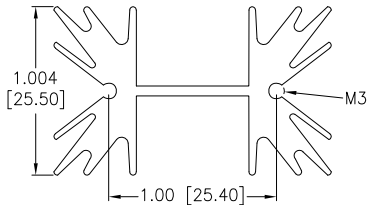
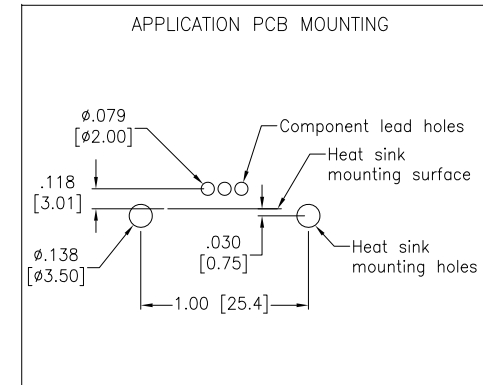
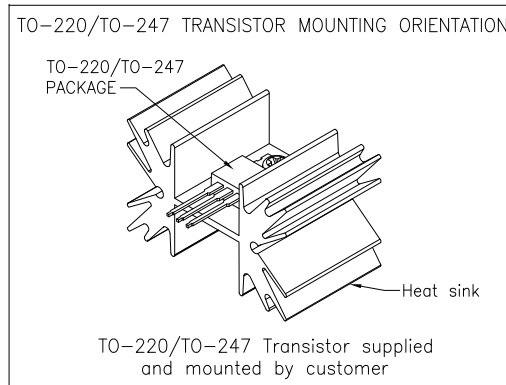
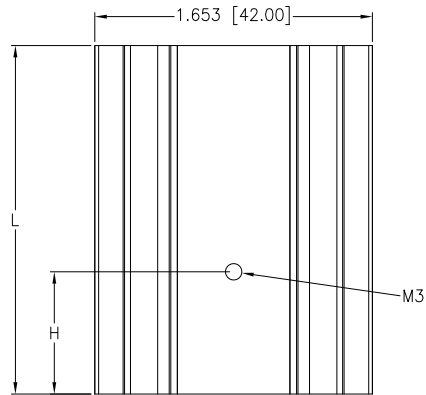


APPROVED: \_\_\_\_\_  
 DATE: \_\_\_\_\_ TITLE: \_\_\_\_\_

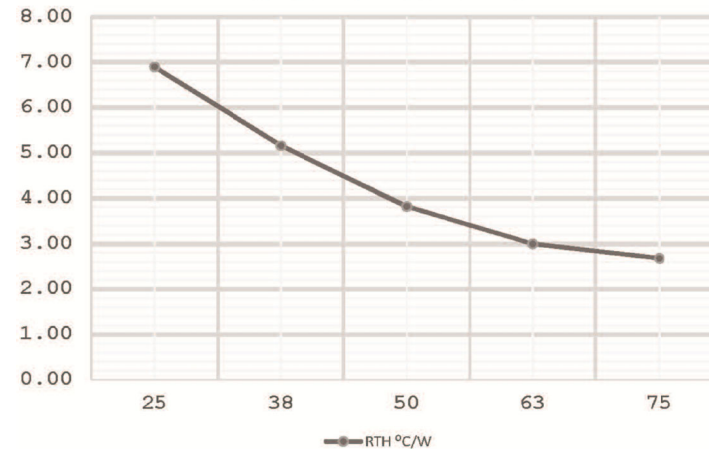
Rev	AWO #	Description	Date	Appr
-		RELEASED	7/26/24	



HSK-049-XX  
 RECOMMENDED SCREW SIZE: M3 X 10MM

ADAM TECH P/N	DIM "L"	DIM "H"	RTH °C/W	PACKAGE
HSK-049-01	.984 [25.00]	.728 [18.50]	6.90	TO-220
HSK-049-02	1.496 [38.00]	.728 [18.50]	5.19	TO-220
HSK-049-03	1.969 [50.00]	.728 [18.50]	3.82	TO-220
HSK-049-04	2.480 [63.00]	.728 [18.50]	3.00	TO-220
HSK-049-05	2.953 [75.00]	.728 [18.50]	2.68	TO-220
HSK-049-06	1.496 [38.00]	.846 [21.50]	5.16	TO-247
HSK-049-07	1.969 [50.00]	.846 [21.50]	3.82	TO-247
HSK-049-08	2.480 [63.00]	.846 [21.50]	3.00	TO-247
HSK-049-09	2.953 [75.00]	.846 [21.50]	2.68	TO-247

length (mm) vs R<sub>TH</sub> (°C/Watt)



SPECIFICATIONS:

Material:  
 Body: Aluminum 6063, Black Anodized  
 Environmental:  
 Lead free, RoHS compliant



UNLESS OTHERWISE SPECIFIED ALL DIMENSIONS ARE INCHES [MM]. TOLERANCES: EXCEPT AS NOTED

INCHES		HOLES	
.X	± .10	Ø.X	± .10
.XX	± .020	Ø.XX	± .015
.XXX	± .015	Ø.XXX	± .010



909 Rahway Avenue,  
 Union, NJ 07083  
 Phone: 908-687-5000  
 Fax: 908-687-5710

DRAWN	SS	7/26/24
CHECKED	SS	7/26/24
APPROVED		

TITLE: HEAT SINK, BOARD LEVEL, EXTRUDED, FOR TO-220 / TO-247 TRANSISTOR PACKAGE

THIS DRAWING CONTAINS INFORMATION THAT IS PROPRIETARY AND SHOULD NOT BE USED WITHOUT PRIOR WRITTEN PERMISSION FROM ADAM TECH.

SIZE	PART NO.	REV.
X	HSK-049-XX	-
REF:	SCALE: NTS	SHEET 1 OF 1