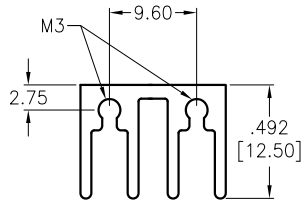
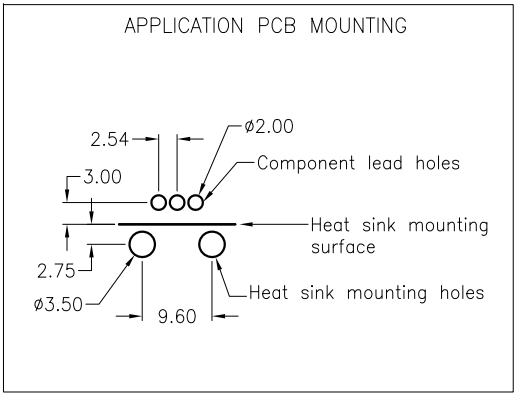
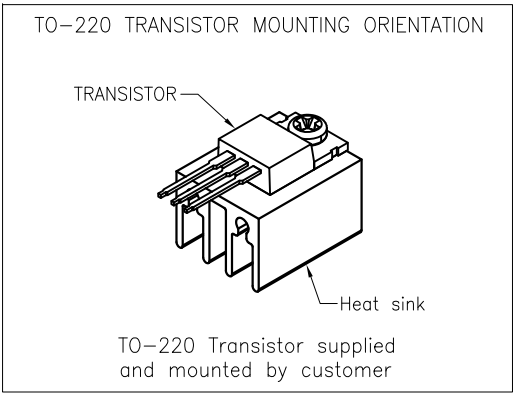
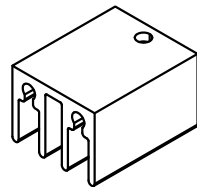
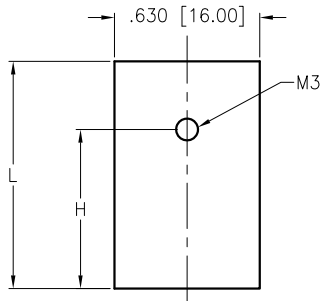
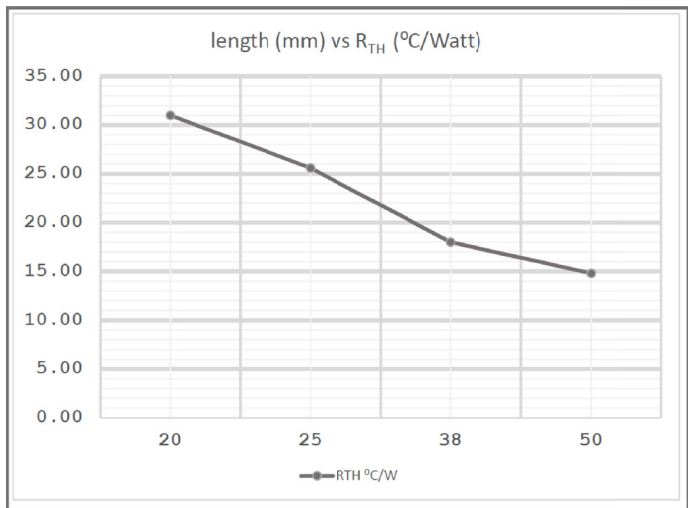


APPROVED: \_\_\_\_\_  
 DATE: \_\_\_\_\_ TITLE: \_\_\_\_\_

Rev	AWO #	Description	Date	Appr
-		RELEASED	5/30/24	



RECOMMENDED SCREW SIZE: M3 X 10MM



HSK-043-XX

ADAM TECH P/N	DIM "L"	DIM "H"	RTH °C/W	PACKAGE
HSK-043-01	.787 [20.00]	.689 [17.50]	31.00	TO-220
HSK-043-02	.984 [25.00]	.689 [17.50]	25.60	TO-220
HSK-043-03	1.496 [38.00]	.689 [17.50]	18.00	TO-220
HSK-043-04	1.969 [50.00]	.689 [17.50]	14.81	TO-220

SPECIFICATIONS:  
 Material:  
 Body: Aluminum 6063, Black Anodized  
 Environmental:  
 Lead free, RoHS compliant



UNLESS OTHERWISE SPECIFIED ALL DIMENSIONS ARE INCHES [MM]. TOLERANCES: EXCEPT AS NOTED

INCHES		HOLES	
.X	±.10	Ø.X	±.10
.XX	±.020	Ø.XX	±.015
.XXX	±.015	Ø.XXX	±.010

DRAWN	WX	5/30/24
CHECKED	RC	5/30/24
APPROVED		

THIS DRAWING CONTAINS INFORMATION THAT IS PROPRIETARY AND SHOULD NOT BE USED WITHOUT PRIOR WRITTEN PERMISSION FROM ADAM TECH

**ADAM TECH** 909 Rahway Avenue,  
 Union, NJ 07083  
 Phone: 908-687-5000  
 Fax: 908-687-5710

TITLE HEAT SINK, BOARD LEVEL, EXTRUDED, FOR TO-220 TRANSISTOR PACKAGE		
SIZE X	PART NO. HSK-043-XX	REV. -
REF: -	SCALE: NTS	SHEET 1 OF 1