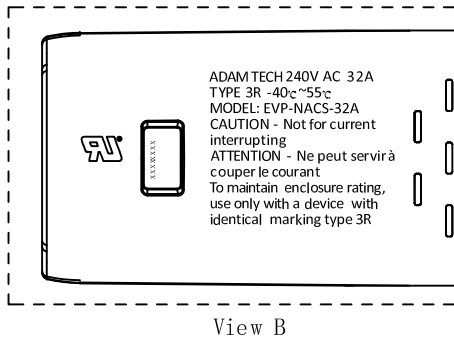
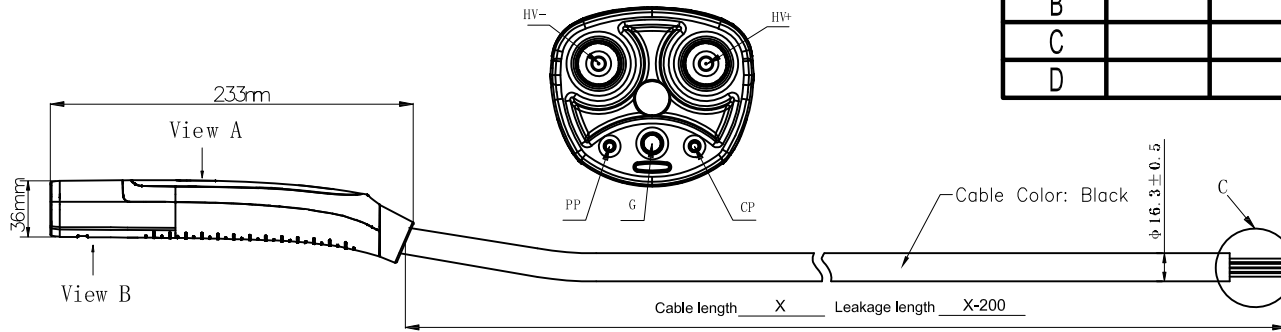


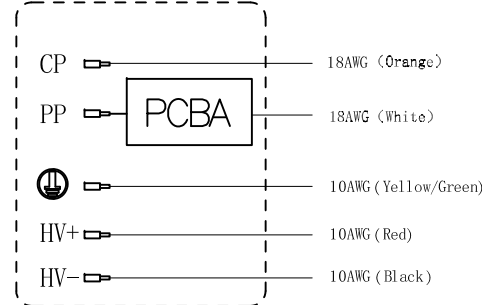
APPROVED: _____

DATE: _____ TITLE: _____

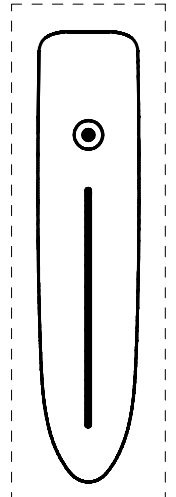
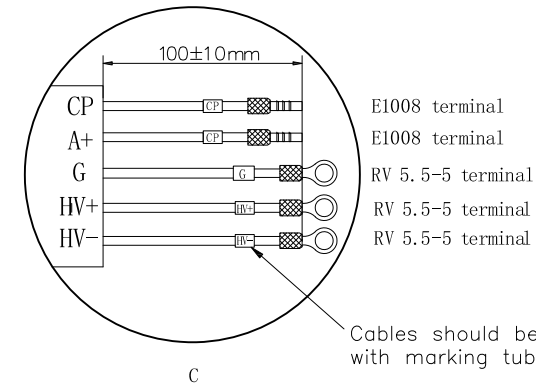
Rev	AWO #	Description	Date	Appr
-		RELEASED	9/4/24	
A		ADDED DIM.	9/12/24	LH/AC
B		UPDATE SPEC.	11/21/24	LW1/AC
C		UPDATE SPEC.	12/2/24	LW1/AC
D		UPDATE DRAWING	12/6/24	LH/AC



Vehicle Connector wiring diagram



Vehicle Connector Tail wiring diagram



ADAM TECH P/N	LENGTH
CA #EV-AC-32AS-1M	1000mm±50mm
CA #EV-AC-32AS-3M	3000mm±50mm
CA #EV-AC-32AS-4M	4000mm±50mm
CA #EV-AC-32AS-5M	5000mm±50mm
CA #EV-AC-32AS-7.62M	7620mm±50mm

SPECIFICATIONS:

Material:
 Insulator: Thermoplastic, rated UL 94V-0
 Insulator color: Black
 Contacts: Copper Alloy, Silver plated surface
 Electrical
 Voltage rating: 240V AC
 Current rating: 32A
 Resistance: R6 150Ω R7 330Ω (PCBA)
 Dielectric withstanding voltage: 2,500V DC Min for 1 minute
 Mechanical:
 Mechanical Life: >10,000 Cycles
 Insertion Force& Extraction Force: <100 N
 Temperature Rating:
 -40°C to +55°C
 Environmental:
 Waterproof: IP67
 Lead free, RoHS compliant



Charging cable: 3x10AWG+2x18AWG, TPE, Black

UNLESS OTHERWISE SPECIFIED ALL DIMENSIONS ARE MILLIMETERS. TOLERANCES: EXCEPT AS NOTED				909 Rahway Avenue, Union, NJ 07083	
X.	± 0.30	ANGLE		Phone: 908-687-5000	
.X	± 0.20	± 1°	Fax: 908-687-5710		
.XX	± 0.10		TITLE CABLE ASSEMBLY EV CHARGER		
DRAWN	LH	9/4/24	NACS SAE J3400 AC VEHICLE CONNECOR 32A		
CHECKED	AC	9/4/24	SIZE X PART NO. CA #EV-AC-32AS-XM REV. D		
APPROVED			REF: S00217C SCALE: NTS SHEET 1 OF 1		
THIS DRAWING CONTAINS INFORMATION THAT IS PROPRIETARY AND SHOULD NOT BE USED WITHOUT PRIOR WRITTEN PERMISSION FROM ADAM TECH					