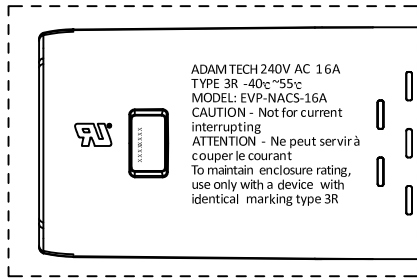
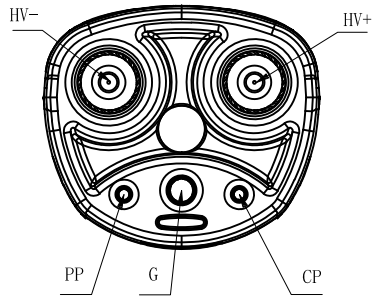
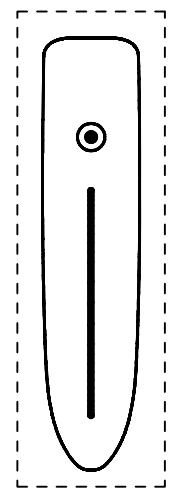
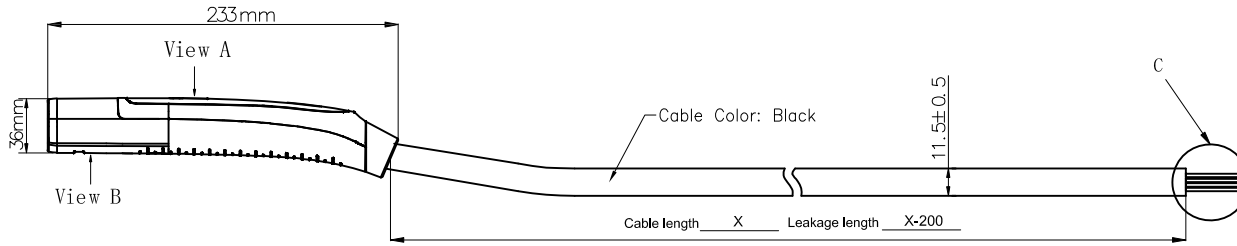


APPROVED: _____

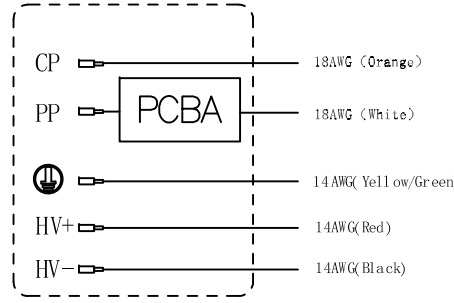
DATE: _____ TITLE: _____

Rev	AWO #	Description	Date	Appr
-		RELEASED	9/4/24	
A		UPDATE SPEC.	11/21/24	LW1/AC
B		UPDATE SPEC.	12/2/24	LW1/AC
C		UPDATE DRAWING	12/6/24	LH/AC

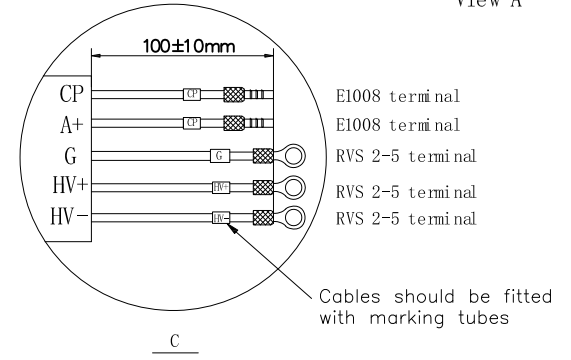


ADAM TECH P/N	LENGTH
CA #EV-AC-16AS-1M	1000mm±50mm
CA #EV-AC-16AS-3M	3000mm±50mm
CA #EV-AC-16AS-4M	4000mm±50mm
CA #EV-AC-16AS-5M	5000mm±50mm

Vehicle Connector wiring diagram



Vehicle Connector Tail wiring diagram



SPECIFICATIONS:

Material:
 Insulator: Thermoplastic, rated UL 94V-0
 Insulator color: Black
 Contacts: Copper Alloy, Silver plated surface
 Electrical
 Voltage rating: 240V AC
 Current rating: 16A
 Resistance: R6 150Ω R7 330Ω (PCBA)
 Dielectric withstanding voltage: 2,500V DC Min for 1 minute
 Mechanical:
 Mechanical Life: >10,000 Cycles
 Insertion Force& Extraction Force: <100 N
 Temperature Rating:
 -40°C to +55°C
 Environmental:
 Waterproof: IP67
 Lead free, RoHS compliant



Charging cable: 3x14AWG+2x18AWG, TPE, Black

UNLESS OTHERWISE SPECIFIED ALL DIMENSIONS ARE MILLIMETERS. TOLERANCES: EXCEPT AS NOTED		
MM	ANGLE	
X. ± 0.30	± 1°	
.X ± 0.20		
.XX ± 0.10		
DRAWN	LH	9/4/24
CHECKED	AC	9/4/24
APPROVED		
THIS DRAWING CONTAINS INFORMATION THAT IS PROPRIETARY AND SHOULD NOT BE USED WITHOUT PRIOR WRITTEN PERMISSION FROM ADAM TECH		

ADAM TECH 909 Rahway Avenue, Union, NJ 07083
 Phone: 908-687-5000 Fax: 908-687-5710

TITLE: CABLE ASSEMBLY EV CHARGER
 NACS SAE J3400 AC VEHICLE CONNECOR 16A

SIZE X	PART NO. CA #EV-AC-16AS-XM	REV. C
REF: S00217C	SCALE: NTS	SHEET 1 OF 1