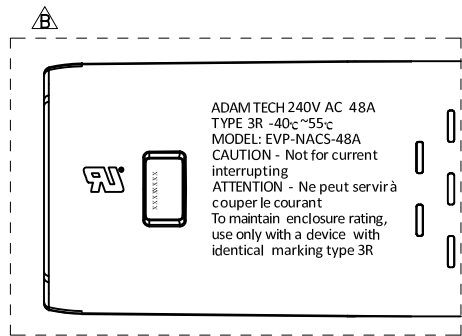
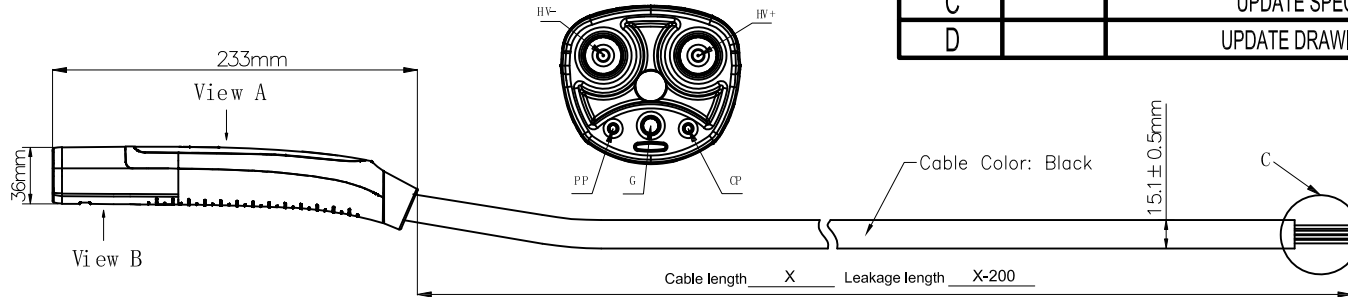


APPROVED: _____

DATE: _____ TITLE: _____

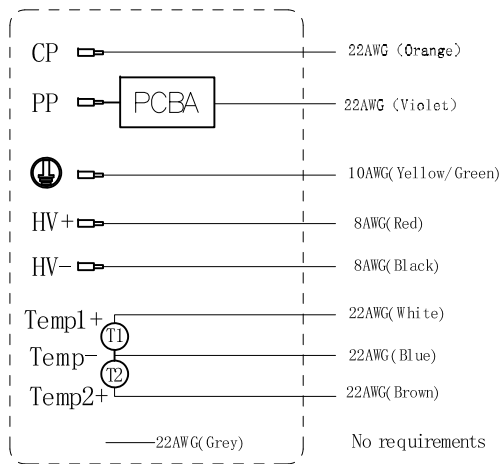
Rev	AWO #	Description	Date	Appr
-		RELEASED	9/4/24	
A		UPDATE DRAWING	9/13/24	LH/AC
B		UPDATE SPEC.	11/21/24	WY/AC
C		UPDATE SPEC.	12/2/24	LW1/AC
D		UPDATE DRAWING	12/6/24	LW1/AC



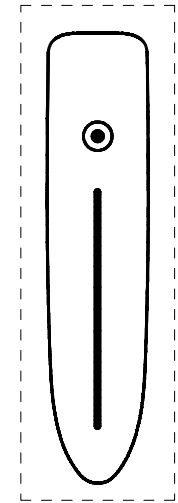
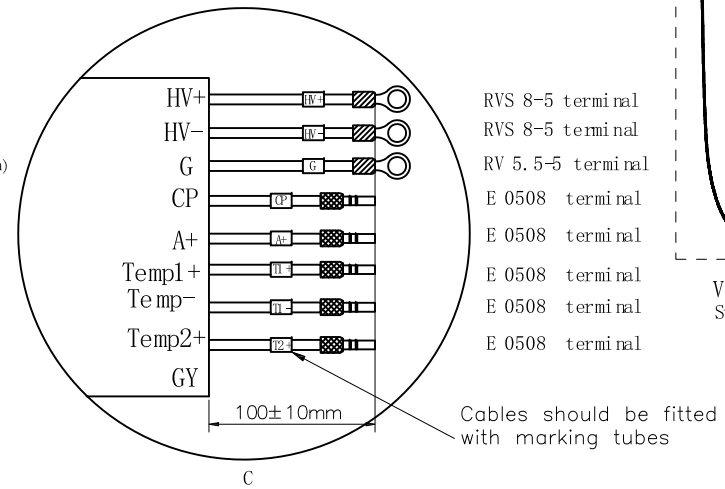
View B

ADAM TECH P/N	LENGTH
CA #EV-AC-48AS-T-1M	1000mm±50mm
CA #EV-AC-48AS-T-3M	3000mm±50mm
CA #EV-AC-48AS-T-4M	4000mm±50mm
CA #EV-AC-48AS-T-5M	5000mm±50mm

Vehicle Connector wiring diagram



Vehicle Connector Tail wiring diagram



View A Sticker

SPECIFICATIONS:

Material:
 Insulator: (PC) Thermoplastic, rated UL 94V-0
 Insulator color: Black
 Contacts: Copper Alloy, Silver plated surface
 Electrical
 Voltage rating: 240V AC
 Current rating: 48A
 Resistance: R6 150Ω R7 330Ω (PCBA)
 Dielectric withstanding voltage: 2,000V DC
 Mechanical:
 Mechanical life: >10000 times
 Insertion and extraction force: <100N
 Temperature Rating:
 -40°C to +55°C
 Environmental:
 Waterproof: IP67
 Lead free, RoHS compliant



Charging cable: 2x8AWG+1x10AWG+6x22AWG, TPE

UNLESS OTHERWISE SPECIFIED ALL DIMENSIONS ARE MILLIMETERS. TOLERANCES: EXCEPT AS NOTED				909 Rahway Avenue, Union, NJ 07083										
<table border="0"> <tr> <td>MM</td> <td>ANGLE</td> </tr> <tr> <td>X. ± 0.30</td> <td>± 1°</td> </tr> <tr> <td>.X ± 0.20</td> <td></td> </tr> <tr> <td>.XX ± 0.10</td> <td></td> </tr> </table>				MM	ANGLE	X. ± 0.30	± 1°	.X ± 0.20		.XX ± 0.10		Phone: 908-687-5000		
MM	ANGLE													
X. ± 0.30	± 1°													
.X ± 0.20														
.XX ± 0.10														
<table border="1"> <tr> <td>DRAWN</td> <td>LH</td> <td>9/4/24</td> </tr> <tr> <td>CHECKED</td> <td>AC</td> <td>9/4/24</td> </tr> <tr> <td>APPROVED</td> <td></td> <td></td> </tr> </table>			DRAWN	LH	9/4/24	CHECKED	AC	9/4/24	APPROVED			TITLE CABLE ASSEMBLY EV CHARGER NACS SAE J3400 AC VEHICLE CONNECTOR 48A WITH TEMPERATURE SENSOR		
DRAWN	LH	9/4/24												
CHECKED	AC	9/4/24												
APPROVED														
THIS DRAWING CONTAINS INFORMATION THAT IS PROPRIETARY AND SHOULD NOT BE USED WITHOUT PRIOR WRITTEN PERMISSION FROM ADAM TECH			SIZE X	PART NO. CA #EV-AC-48AS-T-XM	REV. D									
REF: S00217C			SCALE: NTS	SHEET 1 OF 1										