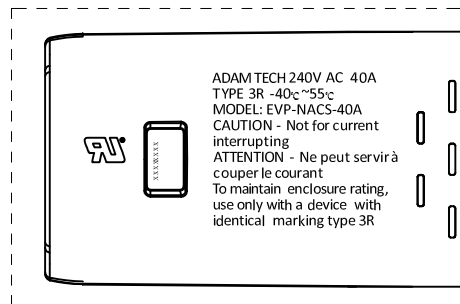
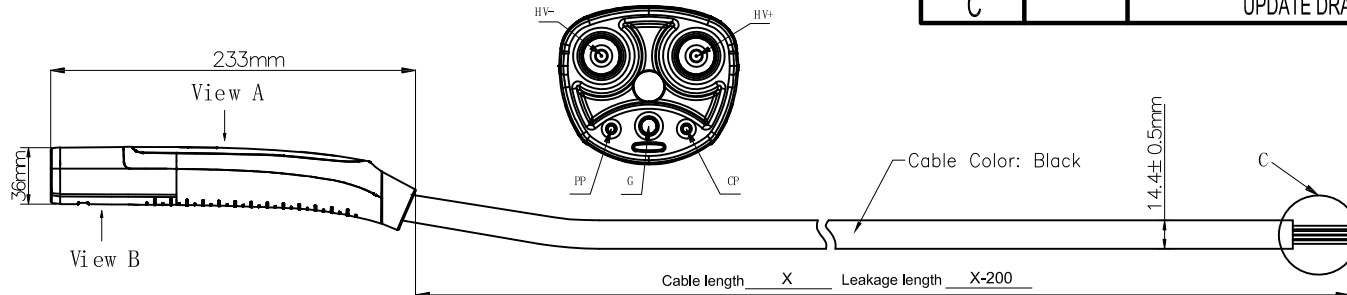


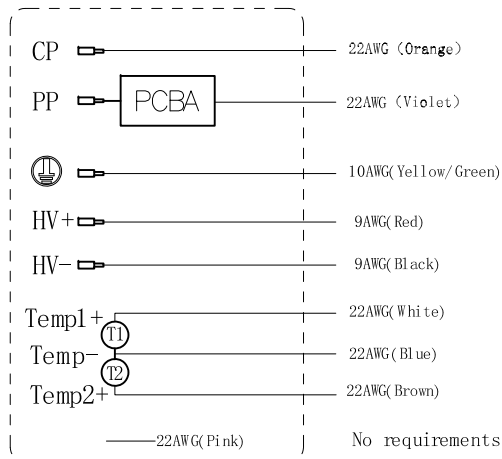
APPROVED: _____

DATE: _____ TITLE: _____

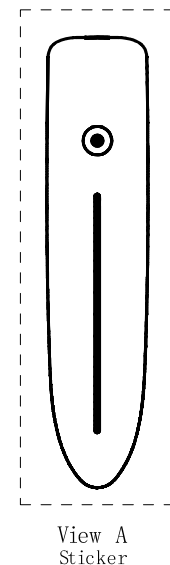
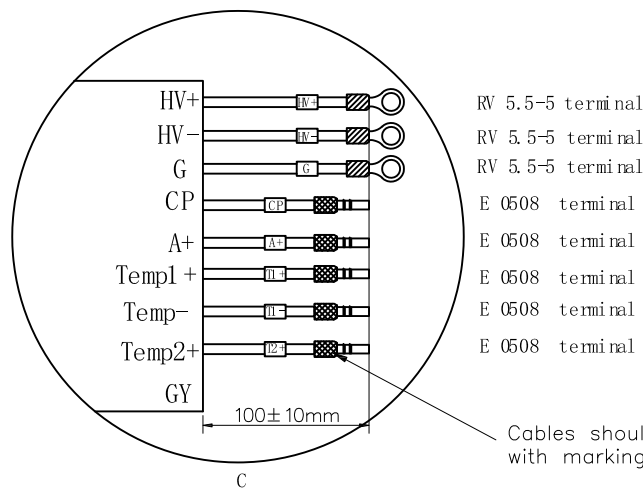
Rev	AWO #	Description	Date	Appr
-		RELEASED	9/4/24	
A		UPDATE SPEC.	11/21/24	WY/AC
B		UPDATE SPEC.	12/2/24	LW1/AC
C		UPDATE DRAWING	12/6/24	LW1/AC



Vehicle Connector wiring diagram



Vehicle Connector Tail wiring diagram



ADAM TECH P/N	LENGTH
CA #EV-AC-40AS-T-1M	1000mm±50mm
CA #EV-AC-40AS-T-3M	3000mm±50mm
CA #EV-AC-40AS-T-4M	4000mm±50mm
CA #EV-AC-40AS-T-5M	5000mm±50mm

SPECIFICATIONS:

Material:
 Insulator: (PC) Thermoplastic, rated UL 94V-0
 Insulator color: Black
 Contacts: Copper Alloy, Silver plated surface
 Electrical
 Voltage rating: 240V AC
 Current rating: 40A
 Resistance: R6 150Ω R7 330Ω (PCBA)
 Dielectric withstanding voltage: 2,000V DC
 Mechanical:
 Mechanical life: >10000 times
 Insertion and extraction force: <100N
 Temperature Rating:
 -40°C to +55°C
 Environmental:
 Waterproof: IP67
 Lead free, RoHS compliant



Charging cable: 2x9AWG+1x10AWG+6x22AWG, TPE

UNLESS OTHERWISE SPECIFIED ALL DIMENSIONS ARE MILLIMETERS. TOLERANCES: EXCEPT AS NOTED				909 Rahway Avenue, Union, NJ 07083	
X.	± 0.30	ANGLE ± 1°		Phone: 908-687-5000	
.X	± 0.20		Fax: 908-687-5710		
.XX	± 0.10				
DRAWN	LH	9/4/24	TITLE		
CHECKED	AC	9/4/24	CABLE ASSEMBLY EV CHARGER NACS SAE J3400 AC VEHICLE CONNECOR 40A WITH TEMPERATURE SENSOR		
APPROVED			SIZE	PART NO.	REV.
THIS DRAWING CONTAINS INFORMATION THAT IS PROPRIETARY AND SHOULD NOT BE USED WITHOUT PRIOR WRITTEN PERMISSION FROM ADAM TECH			X	CA #EV-AC-40AS-T-XM	C
REF:	S00217C	SCALE:	NTS	SHEET 1 OF 1	