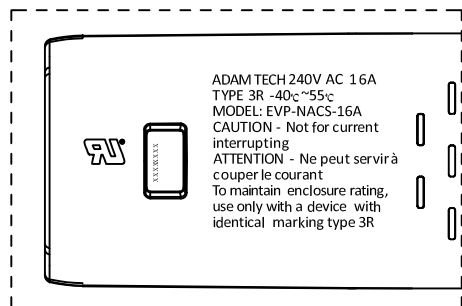
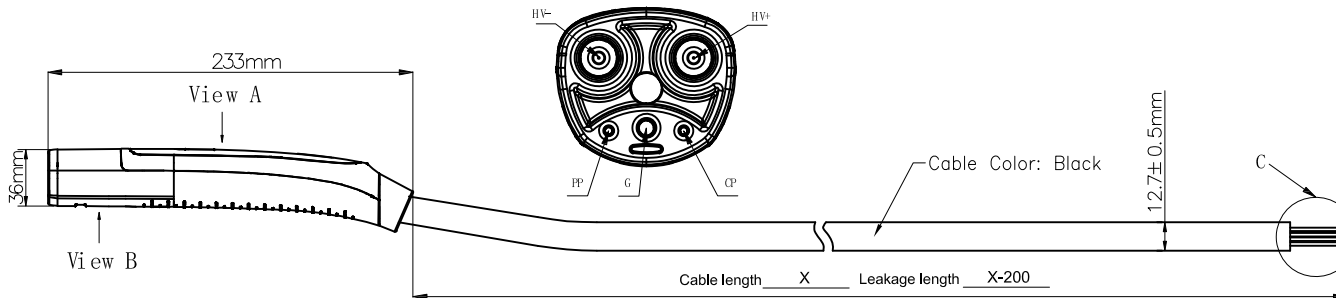


APPROVED: _____

DATE: _____ TITLE: _____

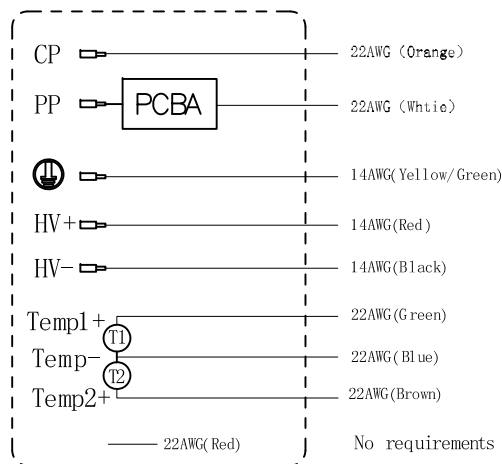
Rev	AWO #	Description	Date	Appr
-		RELEASED	9/4/24	
A		UPDATE SPEC.	11/21/24	LW1/AC
B		UPDATE SPEC.	12/2/24	LW1/AC
C		UPDATE DRAWING	12/6/24	LH/AC



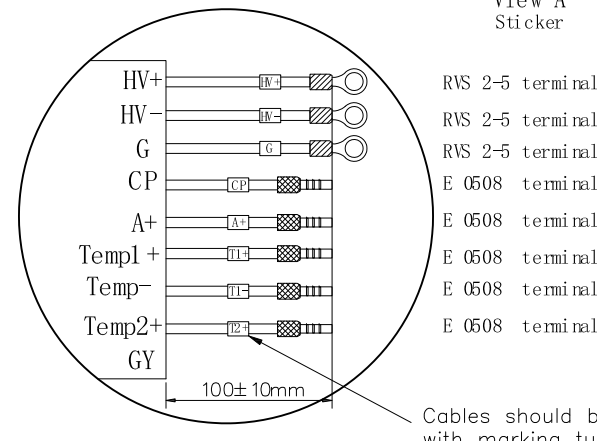
View B

ADAM TECH 240V AC 16A
TYPE 3R -40c~55c
MODEL: EVP-NACS-16A
CAUTION - Not for current
interrupting
ATTENTION - Ne peut servir à
couper le courant
To maintain enclosure rating,
use only with a device with
identical marking type 3R

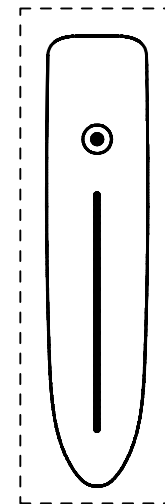
Vehicle Connector wiring diagram



Vehicle Connector Tail wiring diagram



View A
Sticker



View A
Sticker

ADAM TECH P/N	LENGTH
CA #EV-AC-16AS-T-1M	1000mm±50mm
CA #EV-AC-16AS-T-3M	3000mm±50mm
CA #EV-AC-16AS-T-4M	4000mm±50mm
CA #EV-AC-16AS-T-5M	5000mm±50mm

SPECIFICATIONS:

Material:
Insulator: (PC) Thermoplastic, rated UL 94V-0
Insulator color: Black
Contacts: Copper Alloy, Silver plated surface
Electrical
Voltage rating: 240V AC
Current rating: 16A
Resistance: R6 150Ω R7 330Ω (PCBA)
Dielectric withstanding voltage: 2,000V DC
Mechanical:
Mechanical life: >10000 times
Insertion and extraction force: <100N
Temperature Rating:
-40°C to +55°C
Environmental:
Waterproof: IP67
Lead free, RoHS compliant



Charging cable: 3x14AWG+6x22AWG, TPE, Black

UNLESS OTHERWISE SPECIFIED ALL DIMENSIONS ARE MILLIMETERS. TOLERANCES: EXCEPT AS NOTED				909 Rahway Avenue, Union, NJ 07083	
MM	ANGLE			Phone: 908-687-5000 Fax: 908-687-5710	
X.	± 0.30	± 1'			
.X	± 0.20				
.XX	± 0.10				
DRAWN	LH	9/4/24	TITLE	CABLE ASSEMBLY EV CHARGER NACS SAE J13400 AC VEHICLE CONNECTOR 16A WITH TEMPERATURE SENSOR	
CHECKED	AC	9/4/24	SIZE	PART NO.	REV.
APPROVED			X	CA #EV-AC-16AS-T-XM	C
THIS DRAWING CONTAINS INFORMATION THAT IS PROPRIETARY AND SHOULD NOT BE USED WITHOUT PRIOR WRITTEN PERMISSION FROM ADAM TECH			REF:	S00217C	SHEET 1 OF 1
			SCALE:	NTS	