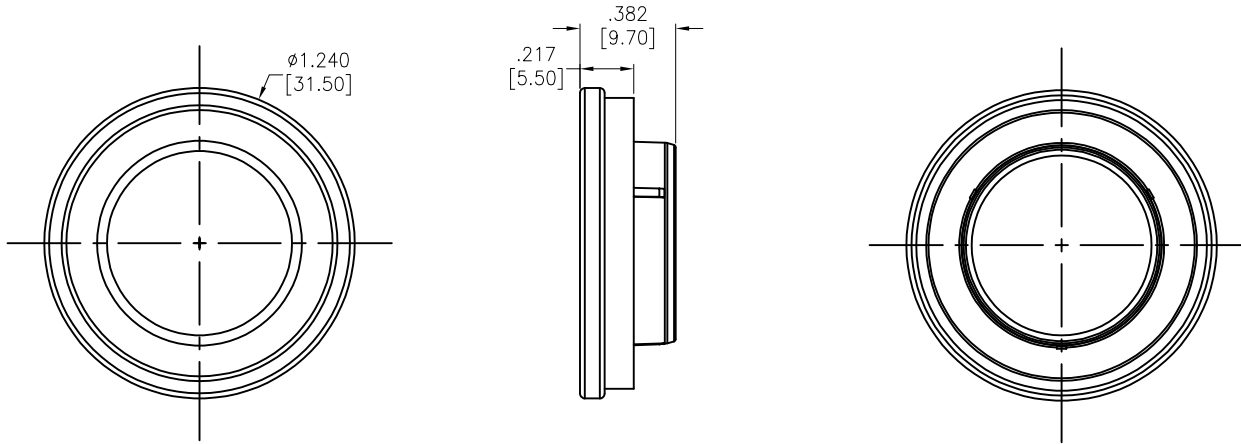


APPROVED: \_\_\_\_\_

DATE: \_\_\_\_\_ TITLE: \_\_\_\_\_

Rev	AWO #	Description	Date	Appr
-		RELEASED	3/7/24	
A		UPDATE DRAWING	1/16/25	WY/MC



Compatible with Adam Tech PN's: ESF-300A02-XXXXXX & ESF-350A02-XXXXXX

UNLESS OTHERWISE SPECIFIED ALL DIMENSIONS ARE INCHES [MM]. TOLERANCES: EXCEPT AS NOTED			
INCHES		HOLES	
.X	$\pm .10$	$\phi X$	$\pm .10$
.XX	$\pm .020$	$\phi XX$	$\pm .015$
.XXX	$\pm .015$	$\phi XXX$	$\pm .010$

**ADAM TECH**

909 Rahway Avenue,  
Union, NJ 07083  
Phone: 908-687-5000  
Fax: 908-687-5710

DRAWN	JJ	3/7/24
CHECKED	RC	3/7/24
APPROVED		
THIS DRAWING CONTAINS INFORMATION THAT IS PROPRIETARY AND SHOULD NOT BE USED WITHOUT PRIOR WRITTEN PERMISSION FROM ADAM TECH		

TITLE			REV.
FEMALE DUST COVER			A
SIZE	PART NO.	REF:	SHEET 1 OF 1
X	ESF-DC3	S00007C	SCALE: NTS

SPECIFICATIONS:  
Material: PP, Color: Black  
Environmental:  
Lead free, RoHS compliant

