

6

5

4

3

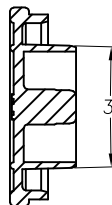
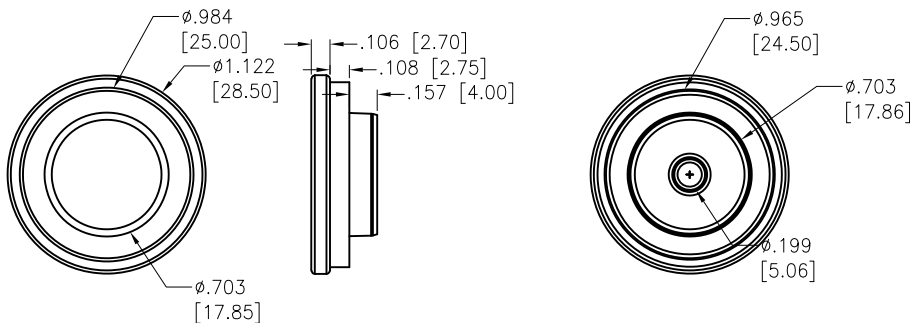
2

1

APPROVED: _____

DATE: _____ TITLE: _____

Rev	AWO #	Description	Date	Appr
-		RELEASED	3/7/24	



SECTION A-A

Compatible with Adam Tech PN's: ESF-200A02-XXXXXX & ESF-250A02-XXXXXX

UNLESS OTHERWISE SPECIFIED ALL DIMENSIONS ARE INCHES [MM]. TOLERANCES: EXCEPT AS NOTED <table border="0"> <tr> <td colspan="2">INCHES</td> <td colspan="2">HOLES</td> </tr> <tr> <td>.x</td> <td>± .10</td> <td>Øx</td> <td>±.10</td> </tr> <tr> <td>.xx</td> <td>± .020</td> <td>Øxx</td> <td>±.015</td> </tr> <tr> <td>.xxx</td> <td>± .015</td> <td>Øxxx</td> <td>±.010</td> </tr> </table>			INCHES		HOLES		.x	± .10	Øx	±.10	.xx	± .020	Øxx	±.015	.xxx	± .015	Øxxx	±.010	ADAM TECH 909 Rahway Avenue, Union, NJ 07083 Phone: 908-687-5000 Fax: 908-687-5710	
INCHES		HOLES																		
.x	± .10	Øx	±.10																	
.xx	± .020	Øxx	±.015																	
.xxx	± .015	Øxxx	±.010																	
DRAWN	JJ	3/7/24	TITLE																	
CHECKED	RC	3/7/24	FEMALE DUST COVER																	
APPROVED			SIZE	PART NO.																
THIS DRAWING CONTAINS INFORMATION THAT IS PROPRIETARY AND SHOULD NOT BE USED WITHOUT PRIOR WRITTEN PERMISSION FROM ADAM TECH			X	ESF-DC2																
			REF: S00006C	SHEET 1 OF 1																

SPECIFICATIONS:
 Material: PVC, Color: Black
 Environmental:
 Lead free, RoHS compliant



6

5

4

3

2

1