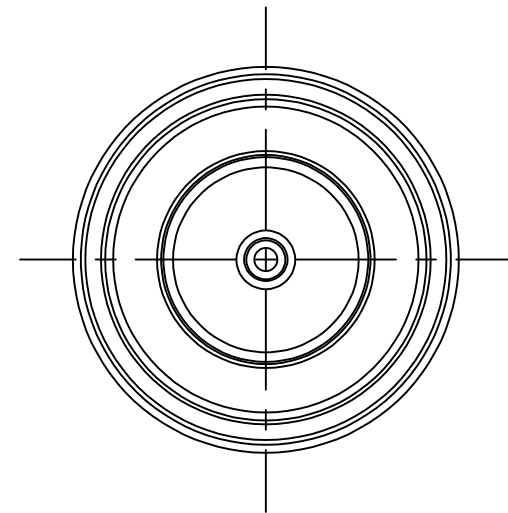
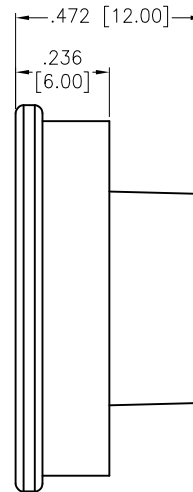
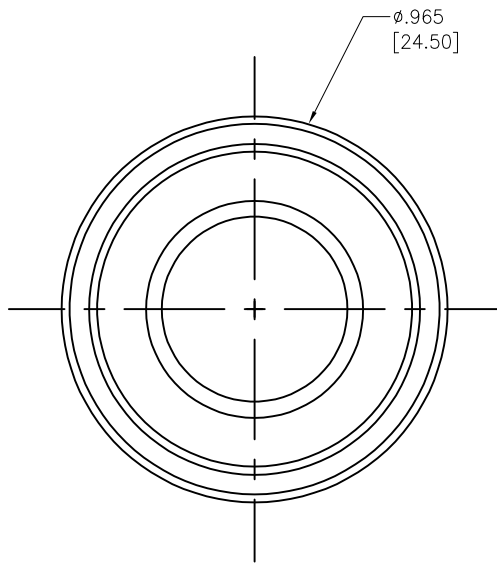


APPROVED: _____

DATE: _____ TITLE: _____

Rev	AWO #	Description	Date	Appr
-		RELEASED	3/7/24	
A		UPDATE DRAWING	1/16/25	WY/MC



Compatible with Adam Tech PN's: ESF-090A02-XXXXXX & ESF-120A02-XXXXXX

UNLESS OTHERWISE SPECIFIED ALL DIMENSIONS ARE INCHES [MM]. TOLERANCES: EXCEPT AS NOTED

INCHES		HOLES	
.X	± .10	ØX	±.10
.XX	± .020	ØXX	±.015
.XXX	± .015	ØXXX	±.010

ADAM
TECH

909 Rahway Avenue,
Union, NJ 07083
Phone: 908-687-5000
Fax: 908-687-5710

DRAWN	JJ	3/7/24
CHECKED	RC	3/7/24
APPROVED		
THIS DRAWING CONTAINS INFORMATION THAT IS PROPRIETARY AND SHOULD NOT BE USED WITHOUT PRIOR WRITTEN PERMISSION FROM ADAM TECH		

TITLE FEMALE DUST COVER		
SIZE X	PART NO. ESF-DC1	REV. A
REF: S00005C	SCALE: NTS	SHEET 1 OF 1

SPECIFICATIONS:
Material: PP, Color: Black
Environmental:
Lead free, RoHS compliant

