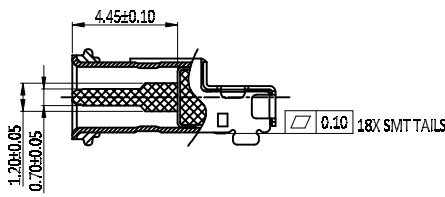
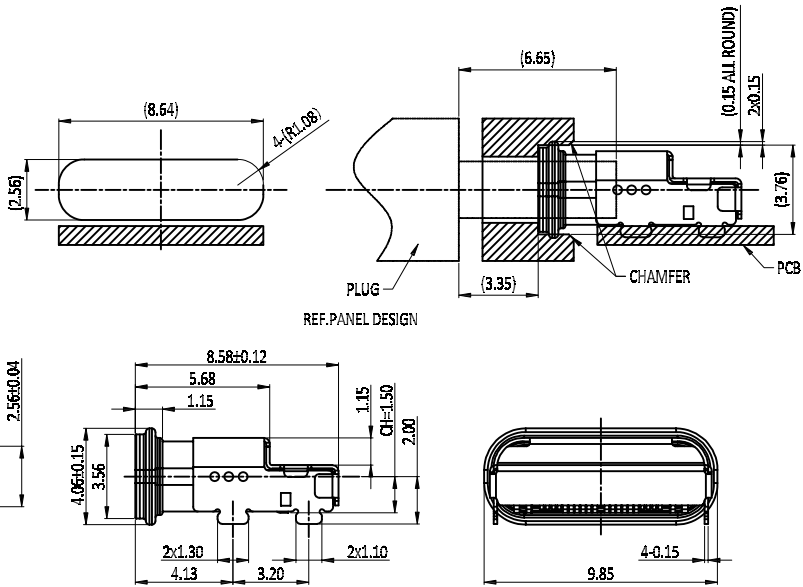
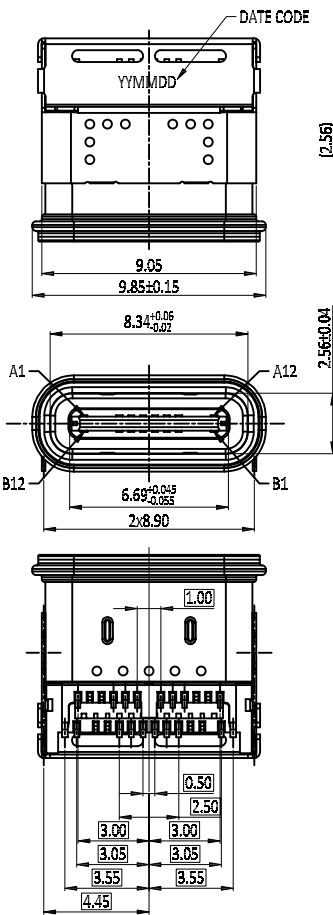
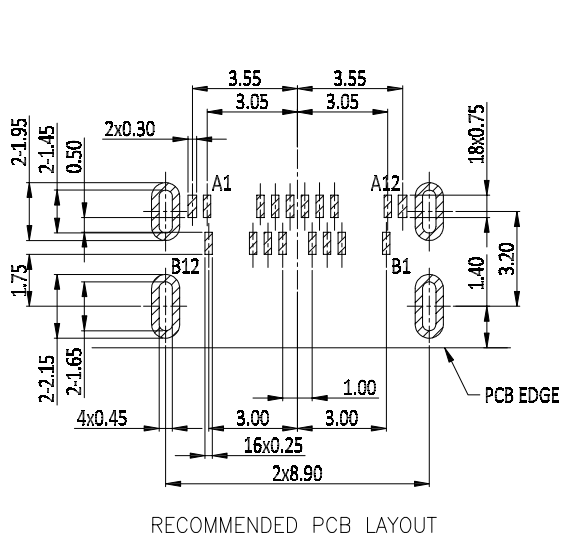


APPROVED: _____

DATE: _____ TITLE: _____

Rev	AWO #	Description	Date	Appr
-		RELEASED	6/7/24	



PIN	SIGNAL NAME	PIN	SIGNAL NAME
A1	GND	B12	GND
A2		B11	
A3		B10	
A4	VBUS	B8	VBUS
A5	CC1	B8	SBU2
A6	Dp1	B7	Dn2
A7	Dn1	B6	Dp2
A8	SBU1	B5	CC2
A9	VBUS	B4	VBUS
A10		B3	
A11		B2	
A12	GND	B1	GND

SPECIFICATIONS:
 Material:
 Molding housing: Hi-temp thermoplastic, rated UL 94V-0, Color: Black
 Terminal: Copper alloy
 Shell: Stainless steel, Nickel plated
 MID Plate: Stainless steel, Nickel plated
 LIM: Chn-lims, Color: Black
 O-ring: Silica gel
 Plating:
 30u" Gold over Nickel underplate on contact area,
 Gold flash over Nickel underplate overall
 Electrical:
 Current rating: 5A
 Contact resistance: 40mΩ Max.(Initial)
 Insulation resistance: 100 Mohms min
 Dielectric withstanding: 100VAC
 Mechanical:
 Insertion Force: 5~20N
 Extraction Force: Initial: 8~20N
 After durability: 6~20N
 Durability: 10,000 Cycles
 Temperature Rating:
 Operating temperature: -20°C to +85°C
 Environmental:
 Waterproof: IPX8
 Lead free, RoHS compliant.



PACKAGED ON TAPE & REEL

UNLESS OTHERWISE SPECIFIED ALL DIMENSIONS ARE MILLIMETERS. TOLERANCES: EXCEPT AS NOTED		
	MM	ANGLE
.0	± .50	±3°
.00	± .15	
.000	± .10	
DRAWN	JJ	6/7/24
CHECKED	RC	6/7/24
APPROVED		
THIS DRAWING CONTAINS INFORMATION THAT IS PROPRIETARY AND SHOULD NOT BE USED WITHOUT PRIOR WRITTEN PERMISSION FROM ADAM TECH		

909 Rahway Avenue,
 Union, NJ 07083
 Phone: 908-687-5000
 Fax: 908-687-5710

TITLE		UNIVERSAL SERIAL BUS, TYPE C2.0, FEMALE, 16P TRANSMISSION EFFICIENCY: 480M WATERPROOF IPX8	
SIZE	PART NO.	REV.	
X	USB-C20-S-RA-CS67-SMT-WP-BK-30-T/R	-	
REF:	S00013T	SCALE:	NTS
		SHEET 1 OF 2	

6

5

4

3

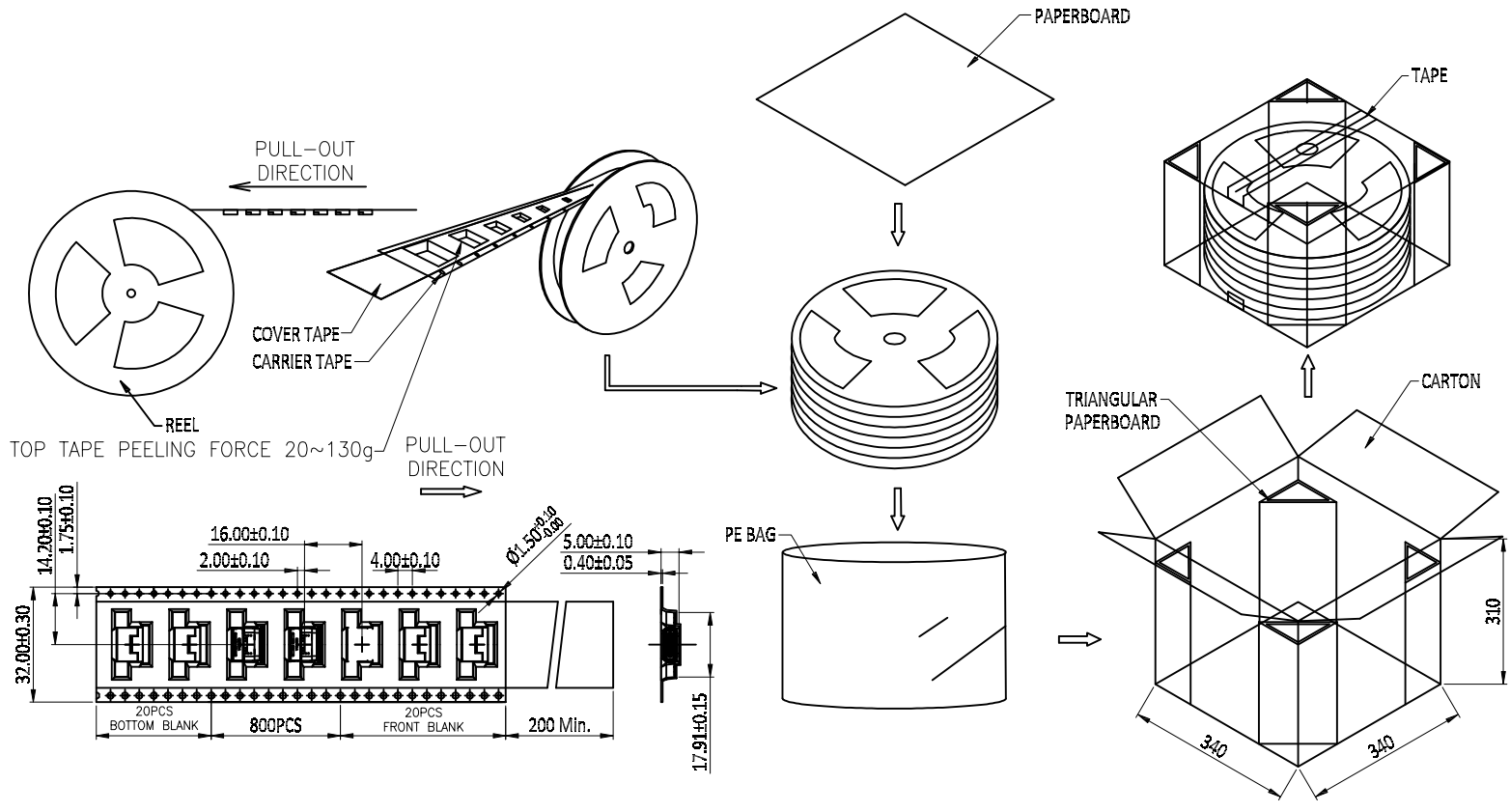
2

1

APPROVED: _____

DATE: _____ TITLE: _____

Rev	AWO #	Description	Date	Appr
SEE SHT 1 OF 2 FOR REVISION				



QUANTITY OF PER TRAY	800PCS/REEL
QUANTITY OF PER CARTON	8x800=6400PCS/CARTON
TRAY TYPE	Ø330x35H
CARTON SIZE	340x340x310
PART	MATERIAL

UNLESS OTHERWISE SPECIFIED ALL DIMENSIONS ARE MILLIMETERS. TOLERANCES: EXCEPT AS NOTED

.0	MM ± .50	ANGLE ±3°
.00	± .15	
.000	± .10	

ADAM TECH 909 Rahway Avenue,
Union, NJ 07083
Phone: 908-687-5000
Fax: 908-687-5710

DRAWN	JJ	6/7/24
CHECKED	RC	6/7/24
APPROVED		

TITLE		
UNIVERSAL SERIAL BUS, TYPE C2.0, FEMALE, 16P TRANSMISSION EFFICIENCY: 480M WATERPROOF IPX8		
SIZE	PART NO.	REV.
X	USB-C20-S-RA-CS67-SMT-WP-BK-30-T/R	-

THIS DRAWING CONTAINS INFORMATION THAT IS PROPRIETARY AND SHOULD NOT BE USED WITHOUT PRIOR WRITTEN PERMISSION FROM ADAM TECH

REF: S00013T	SCALE: NTS	SHEET 2 OF 2
--------------	------------	--------------

6

5

4

3

2

1