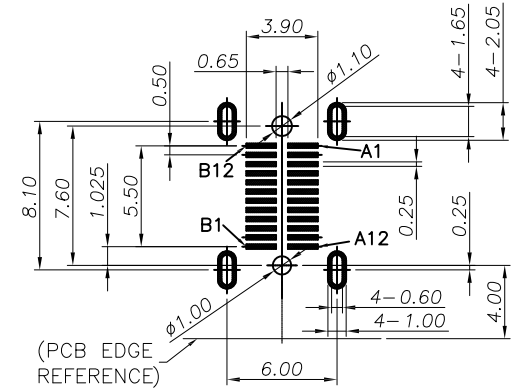
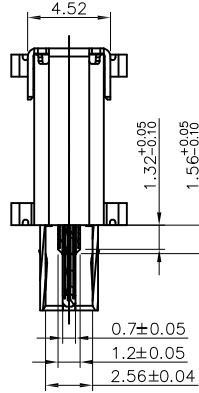
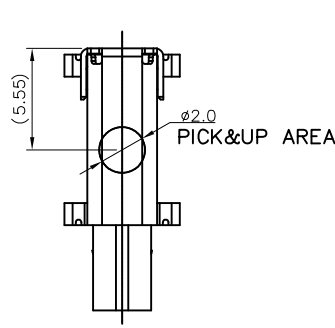


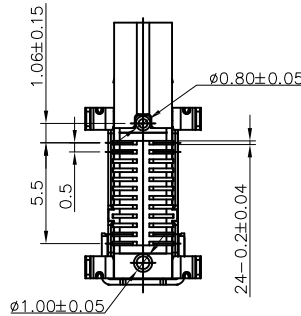
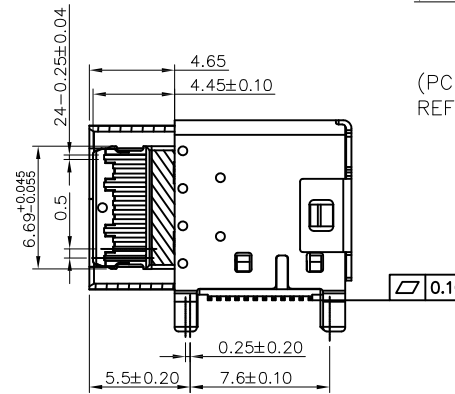
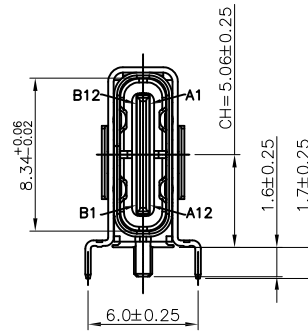
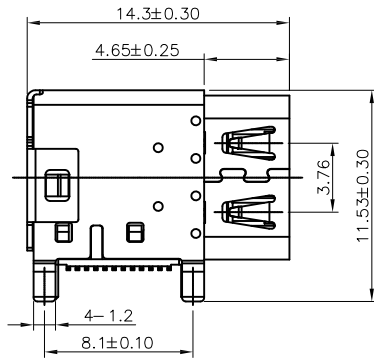
APPROVED: \_\_\_\_\_

DATE: \_\_\_\_\_ TITLE: \_\_\_\_\_

Rev	AWO #	Description	Date	Appr
-		RELEASED	11/15/21	
A		UPDATED DRAWING	12/30/22	JJ/LX
B		UPDATE TITLE	6/27/24	WX/RC



RECOMMENDED PCB LAYOUT



**SPECIFICATIONS:**

**Material:**

Insulator: Hi-Temp Thermoplastic, rated UL 94V-0

Insulator color: Black

Contacts: Copper Alloy

Mid plate: Stainless Steel SUS301, Nickel plated

Shell: Stainless Steel, SUS301 Nickel plated

EMI: Stainless Steel, SUS304

**Plating:**

Gold flash over Nickel underplate overall

**Electrical:**

Current rating: 5.0A for Vbus PIN,

1.25A for Vconn PIN,

0.25A for OTHER PINS.

Contact resistance: 40mΩ

Insulation resistance: 100 Mohms min

Dielectric withstanding voltage: 100 VAC MIN.

**Mechanical:**

Mating force: 5~20N

Unmated force: 8~20N

Durability: 10,000 Cycles

Temperature Rating:

Operating temperature: -40°C to +85°C

Environmental:

Lead free, RoHS compliant



**PIN ASSIGNMENT:**

PIN	Signal Name	PIN	Signal Name
A1	GND	B12	GND
A2	SSTXp1	B11	SSRXp1
A3	SSTXn1	B10	SSRXn1
A4	Vbus	B9	Vbus
A5	CC1	B8	SBU2
A6	Dp1	B7	DN2
A7	Dn1	B6	DP2
A8	SBU1	B5	CC2
A9	Vbus	B4	Vbus
A10	SSRXn2	B3	SSTXn2
A11	SSRXp2	B2	SSTXp2
A12	GND	B1	GND

**PACKAGED ON TAPE & REEL**

UNLESS OTHERWISE SPECIFIED ALL DIMENSIONS ARE MILLIMETERS. TOLERANCES: EXCEPT AS NOTED

MM	ANGLE
X. ±.30	X. ±2°
.X ±.20	.X ±1.5°
.XX ±.10	

DRAWN	WX	11/15/21
CHECKED	LW	11/15/21
APPROVED		

THIS DRAWING CONTAINS INFORMATION THAT IS PROPRIETARY AND SHOULD NOT BE USED WITHOUT PRIOR WRITTEN PERMISSION FROM ADAM TECH



909 Rahway Avenue,  
Union, NJ 07083  
Phone: 908-687-5000  
Fax: 908-687-5710

TITLE UNIVERSAL SERIAL BUS, TYPE C GEN1, FEMALE  
TRANSMISSION EFFICIENCY: 5Gbps  
UPRIGHT THRU-HOLE, RIGHT ANGLE

SIZE	PART NO.	REV.
X	USB-C32-S-RU-CS4-BK-T/R	B
REF: S00005C	SCALE: NTS	SHEET 1 OF 1