

FEATURES:

- Universal Input: 90~264VAC
- Efficiency at 78% Typical
- Protection: Short Circuit/Overload/Overvoltage
- Fully Encapsulated Plastic Case
- Internal Input Filter
- RoHS Compliant
- UL Recognized



AC-DC Converter AC025-S09

22.5 Watt
Single Output
AC/DC Power
Module Converter

Specifications typical at TA=25°C nominal input voltage and rated output current unless otherwise specified

Part Number	Output Wattage	Output Voltage	Output Current (mA)		Ripple & Noise	Efficiency
	(W)	(V)	Min	Max	(mV) Max (Note)	(% TYP)
AC025-S09	22.5	Vo=+9	0	2500	150	78

Note:

Ripple & noise is measured by using 20 MHz bandwidth, measured with 47uf paralleled with a high-frequency 0.47uf capacitor across each output by full load.



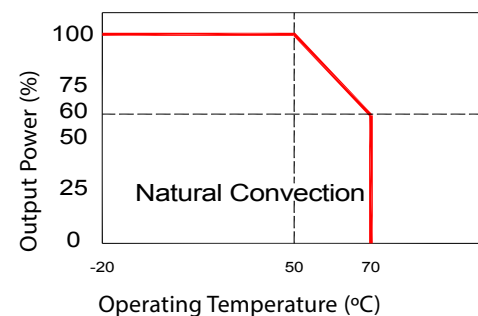
Input Specifications

Parameters	Conditions	Min	Typ	Max	Units
Rated Input Voltage	Vo, lo nom		100~240		Vac
Voltage Range	Vo, lo nom	AC in	90	264	Vac
		DC in	120	370	Vdc
Frequency		47	50/60	63	Hz
Input Current	Vo, lo nom			0.55	A
Inrush Current	At 115VAC			12	A
	At 230VAC			20	A
Input Fuse	VDE/UL/CCC FUSE 2.5A/250V (Slow blow)				

Output Specifications

Parameters	Conditions	Min	Typ	Max	Units
Output Voltage Accuracy	Vi nom, lo nom	Vo		±3	%
Minimum Load	Vi nom	0			%
Line Regulation	lo nom, Vi min...Vi max		±1		%
Load Regulation	Vi nom, lo min...lo nom	Vo	±2		%
Transient Recovery Time	Vi nom, lo nom = ← → 0.5 lo nom		1000		uS
Protection	Overload	Above 110% rated output power Protection type: Recovers automatically after fault condition is removed			
	Over Voltage	120%-150% rated output Voltage Protection type: Zener diode clamp			
		Short Circuit	Recovers automatically after fault condition is removed		

Temperature Derating Graph



General Specifications

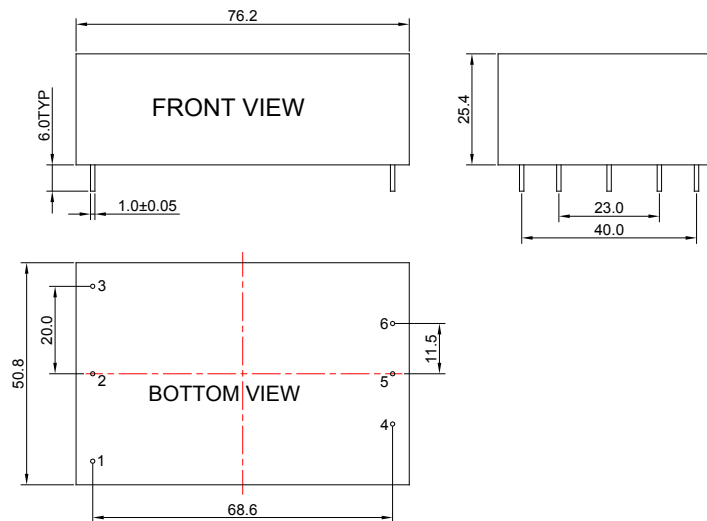
Parameters	Conditions	Min	Typ	Max	Units
Switching Frequency	Vi nom, Io nom		65		KHz
Isolation Voltage	Input / Output		3kVac/ 5mA/5Secs		
Isolation Resistance	Input / Output, @500 Vdc	100			MΩ
Operating Temperature	Operating at Vi nom, Io nom	-20		+70	°C
Derating	Vi nom, Io nom+51 to 71°C			2	%/°C
Storage Temperature	Non Operational	-40		+85	°C
Relative Humidity @ 40°C	Vi nom, Io nom			95	% RH
Safety Standards	EN60950-1 approved				
EMI Conduction & Radiation	Compliance to EN55032				
EMS Immunity	Compliance to EN55024				
Dimensions	L76.2x W50.8 x H25.4				mm
Cooling	Free air convection				

Part Number

AC025 - S 09
A B C

A: Series
B: Single Output
C: Output Voltage

Markings and Dimensions



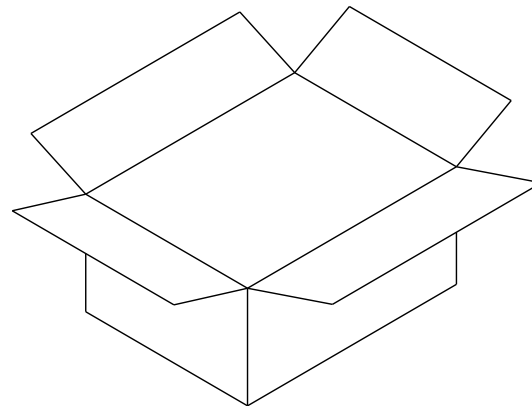
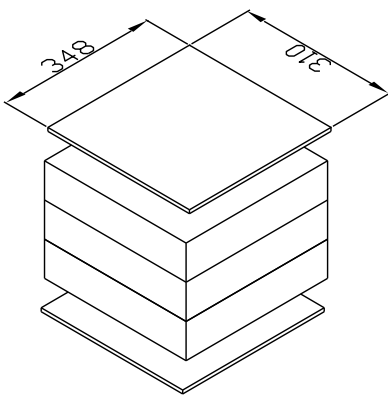
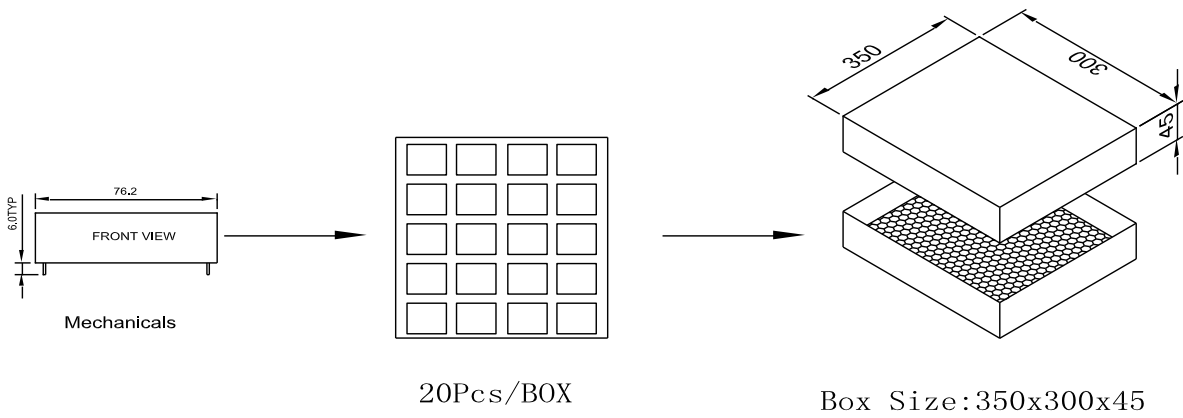
UNIT: mm Unless otherwise specified, all tolerances are ±0.50.

PIN Connection

PIN	1	2	3	4	5	6
Single	FG	ACN	ACL	-Vo	NO PIN	+Vo

Packaging

- 1. Weight: 170grams/pcs
- 2. Outer Carton Unit: 60pcs/box
- 3. Weight: 12.0kg per carton



Outer carton: 375x320x160mm