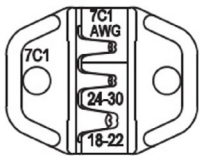
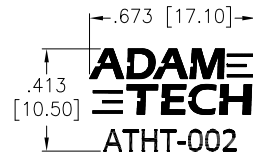
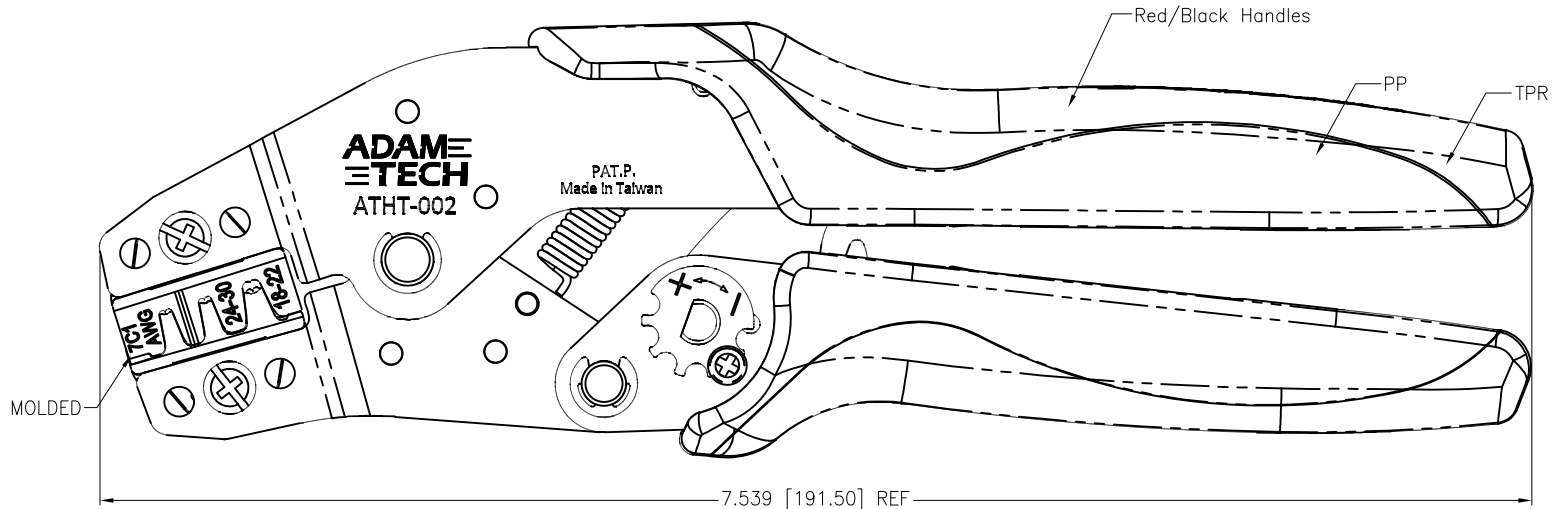
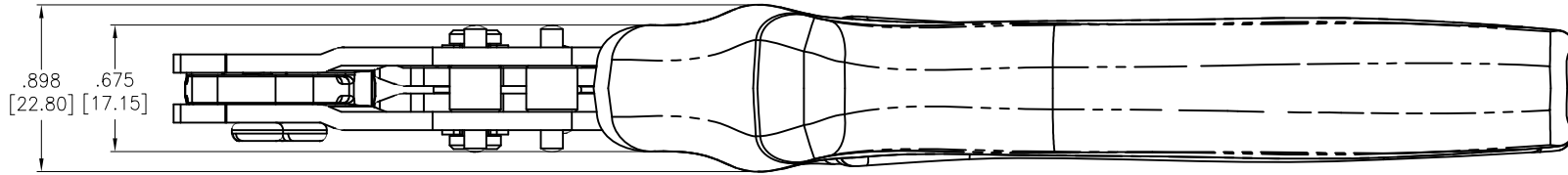


APPROVED: \_\_\_\_\_

DATE: \_\_\_\_\_ TITLE: \_\_\_\_\_

Rev	AWO #	Description	Date	Appr
-		RELEASED	10/13/22	
A		UPDATE DRAWING	11/16/23	LH/RC
B		UPDATE DRAWING	11/20/23	LH/RC



Non-insulated Terminal or Open Barrel Terminal



SPECIFICATIONS:

Mechanical:

Wire range : 24-30/18-22 #AWG

DIN 0.25-0.05/1.0-0.34 mm<sup>2</sup>

UNLESS OTHERWISE SPECIFIED ALL DIMENSIONS ARE INCHES [MM]. TOLERANCES: EXCEPT AS NOTED

INCHES		HOLES	
X	± .10	ØX	± .10
.XX	± .020	Ø.XX	± .015
.XXX	± .015	Ø.XXX	± .010

DRAWN	JJ	10/13/22
CHECKED	RC	10/13/22
APPROVED		

THIS DRAWING CONTAINS INFORMATION THAT IS PROPRIETARY AND SHOULD NOT BE USED WITHOUT PRIOR WRITTEN PERMISSION FROM ADAM TECH

**ADAM TECH**

909 Rahway Avenue,  
Union, NJ 07083  
Phone: 908-687-5000  
Fax: 908-687-5710

TITLE  
CRIMP TOOL, NON-INSULATED / OPEN BARREL TERMINAL  
18 TO 30 AWG

SIZE X	PART NO. ATHT-002	REV. B
REF: S00304T	SCALE: NTS	SHEET 1 OF 1