

6

5

4

3

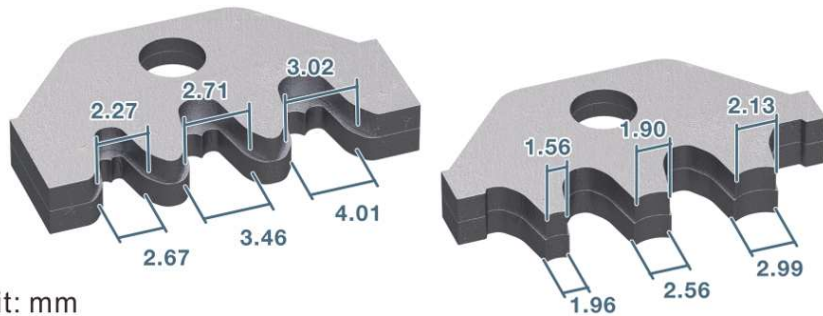
2

1

Rev	AWO #	Description	Date	Appr
-		RELEASED	11/23/22	
A		UPDATE DRAWING	11/16/23	JJ/RC

APPROVED: _____

DATE: _____ TITLE: _____



Unit: mm

SPECIFICATIONS:

Mechanical:

Wire range : 18~28 #AWG

DIN 0.1-1.0 mm²

UNLESS OTHERWISE SPECIFIED ALL DIMENSIONS ARE INCHES [MM]. TOLERANCES: EXCEPT AS NOTED

INCHES		HOLES	
.X	± .10	∅.X	± .10
.XX	± .020	∅.XX	± .015
.XXX	± .015	∅.XXX	± .010

DRAWN	JJ	11/23/22
CHECKED	RC	11/23/22
APPROVED		

THIS DRAWING CONTAINS INFORMATION THAT IS PROPRIETARY AND SHOULD NOT BE USED WITHOUT PRIOR WRITTEN PERMISSION FROM ADAM TECH

ADAM TECH		909 Rahway Avenue, Union, NJ 07083	
		Phone: 908-687-5000 Fax: 908-687-5710	
TITLE CRIMP TOOL, NON-INSULATED/OPEN BARREL TERMINAL 18 TO 28 AWG			
SIZE X	PART NO. ATHT-009	REV. A	
REF: -	SCALE: NTS	SHEET 1 OF 1	

6

5

4

3

2

1