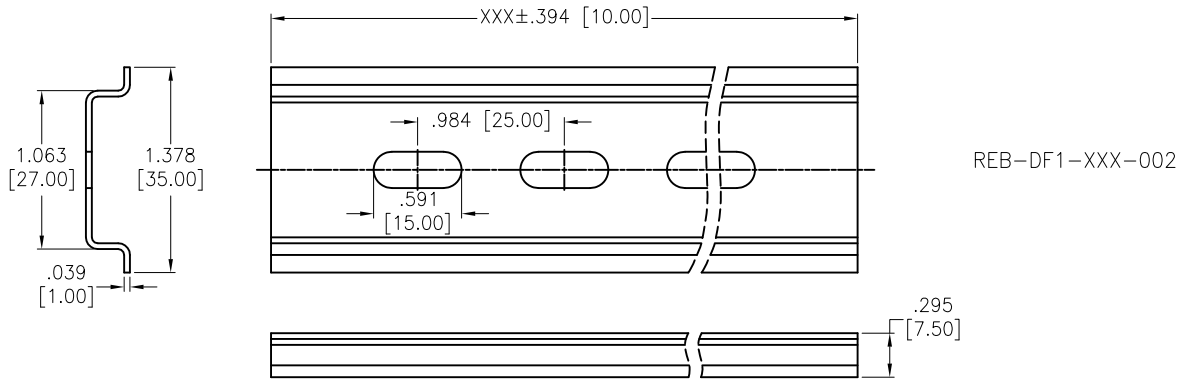
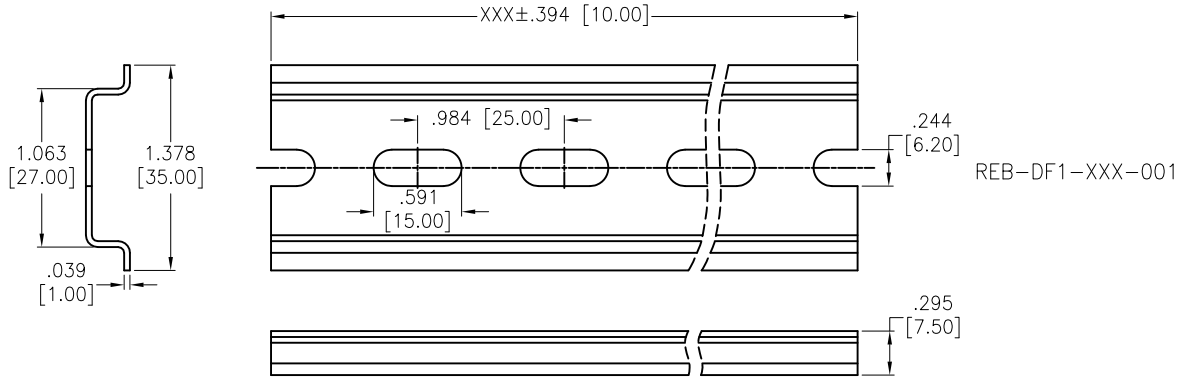


APPROVED: _____

DATE: _____ TITLE: _____

Rev	AWO #	Description	Date	Apr
-		RELEASED	9/6/23	
A		ADDED DIM.	9/14/23	LH/RC
B		UPDATE SPEC.	10/25/23	LH/RC



REB-DF1-XXX-00X

Example: (1000mm)=100
(2000mm)=200

SPECIFICATIONS:

Material:
Steel Δ
Contactive Coating:
Zinc Plated Δ
Environmental:
Lead free, RoHS compliant.



UNLESS OTHERWISE SPECIFIED ALL DIMENSIONS ARE INCHES [MM]. TOLERANCES: EXCEPT AS NOTED

INCHES		HOLES	
.x	± .10	∅x	±.10
.xx	± .020	∅xx	±.015
.xxx	± .015	∅xxx	±.010

DRAWN	LH	9/6/23
CHECKED	RC	9/6/23
APPROVED		

THIS DRAWING CONTAINS INFORMATION THAT IS PROPRIETARY AND SHOULD NOT BE USED WITHOUT PRIOR WRITTEN PERMISSION FROM ADAM TECH



909 Rahway Avenue,
Union, NJ 07083
Phone: 908-687-5000
Fax: 908-687-5710

TITLE DIN RAIL TERMINAL BLOCKS, TRACK			REV. B
SIZE X	PART NO. REB-DF1-XXX-00X		
REF: S00067C	SCALE: NTS	SHEET 1 OF 1	