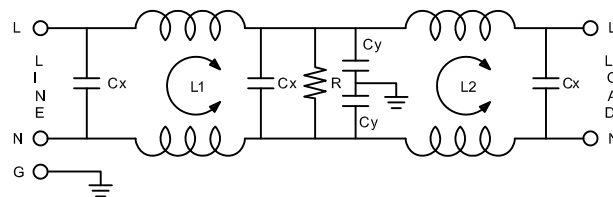
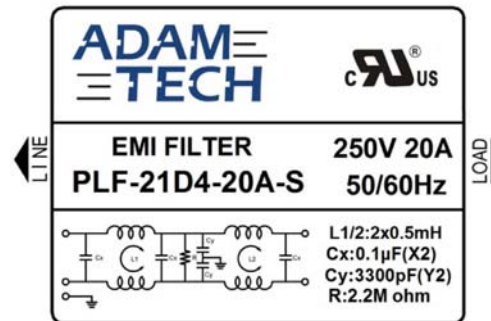
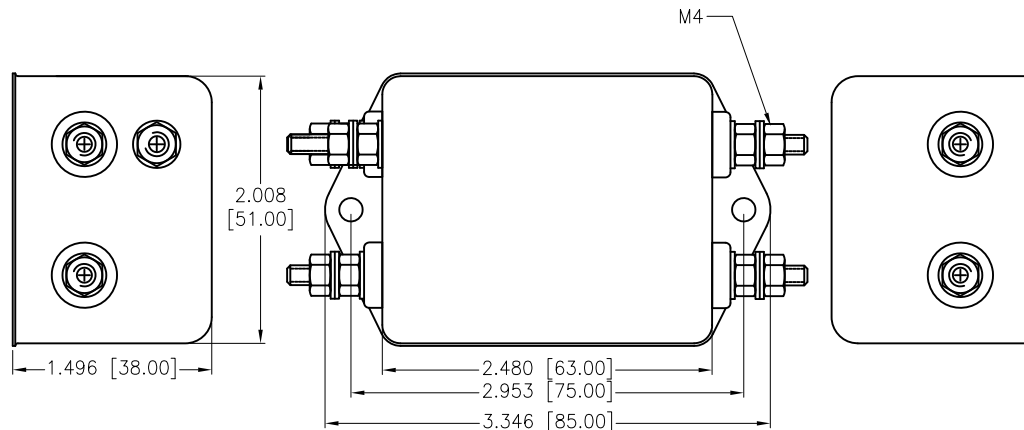


APPROVED: _____

DATE: _____ TITLE: _____

Rev	AWO #	Description	Date	Appr
-		RELEASED	5/29/23	
A		UPDATE TITLE	8/4/23	JJ/RC



L1/2: 2x0.5mH
 Cx1/2/3: 0.1µF(X2)
 Cy: 3300pF (Y2)*2
 R: 2.2M ohm

SPECIFICATIONS:

Electrical:

Voltage rating: 115/250 VAC
 Current rating: 115/250 VAC: 20 A RMS max
 Operating Frequency: 50/60Hz
 Leakage Current: Each Line To Ground
 @115VAC/60Hz 0.4mA max
 @250VAC/50Hz 0.8mA max

Hipot Rating(For 1 Minute)

A. Line to Ground: 2,250 VDC
 B. Line to Line: 500 VDC

IR: 50 Mohm @500 VDC Any Input or Output to Ground

Temperature Rating:
 -25°C to +85°C

Environmental:

Lead free, RoHS compliant



UNLESS OTHERWISE SPECIFIED ALL DIMENSIONS ARE INCHES [MM]. TOLERANCES: EXCEPT AS NOTED		
INCHES		HOLES
.X ± .10	ØX ± .10	
.XX ± .020	ØXX ± .015	
.XXX ± .015	ØXXX ± .010	
DRAWN	JJ	5/29/23
CHECKED	RC	5/29/23
APPROVED		
THIS DRAWING CONTAINS INFORMATION THAT IS PROPRIETARY AND SHOULD NOT BE USED WITHOUT PRIOR WRITTEN PERMISSION FROM ADAM TECH		

ADAM TECH
 909 Rahway Avenue,
 Union, NJ 07083
 Phone: 908-687-5000
 Fax: 908-687-5710

TITLE EMI/RFI POWER LINE FILTER, 115/250VAC 20A, MEDIUM OUTLINE, SCREW TERMINAL / CHASSIS MOUNT		
SIZE X	PART NO. PLF-21D4-20A-S	REV. A
REF: S00205C	SCALE: NTS	SHEET 1 OF 2

6

5

4

3

2

1

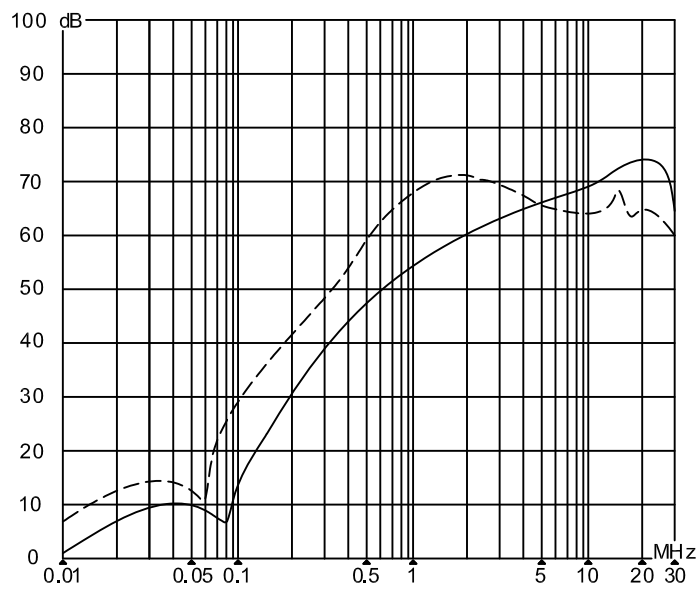
APPROVED: _____

DATE: _____ TITLE: _____

Rev	AWO #	Description	Date	Appr
SEE SHT 1 OF 2 FOR REVISION				

INSERTION LOSS(IN 50 ohm system according IEC/CISPR No.17)

————— common mode
 - - - - - differential mode



UNLESS OTHERWISE SPECIFIED ALL DIMENSIONS ARE INCHES [MM]. TOLERANCES: EXCEPT AS NOTED

INCHES		HOLES	
.X	± .10	∅X	±.10
.XX	± .020	∅XX	±.015
.XXX	± .015	∅XXX	±.010

ADAM TECH 909 Rahway Avenue,
 Union, NJ 07083
 Phone: 908-687-5000
 Fax: 908-687-5710

DRAWN	JJ	5/29/23
CHECKED	RC	5/29/23
APPROVED		

TITLE
 EMI/RFI POWER LINE FILTER, 115/250VAC 20A,
 MEDIUM OUTLINE, SCREW TERMINAL / CHASSIS MOUNT

THIS DRAWING CONTAINS INFORMATION THAT IS PROPRIETARY AND SHOULD NOT BE USED WITHOUT PRIOR WRITTEN PERMISSION FROM ADAM TECH

SIZE X	PART NO. PLF-21D4-20A-S	REV. A
REF: S00205C	SCALE: NTS	SHEET 2 OF 2

6

5

4

3

2

1