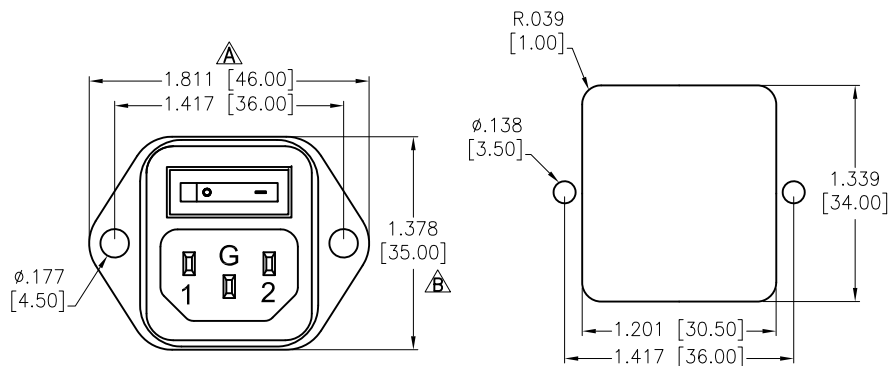


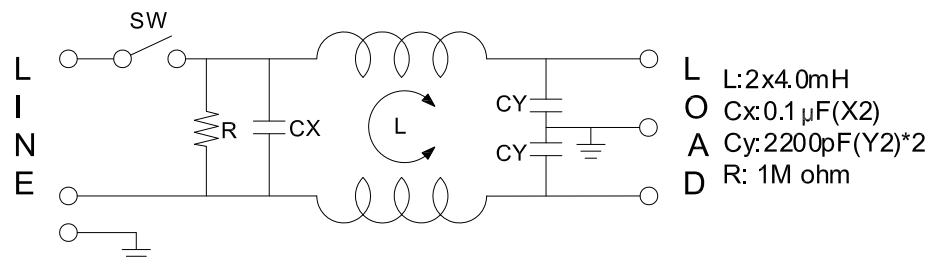
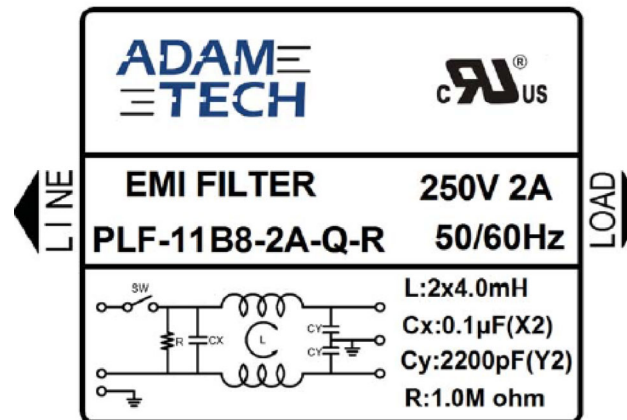
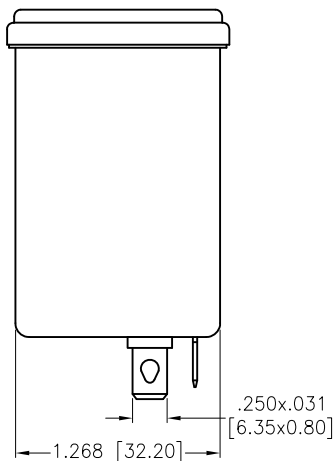
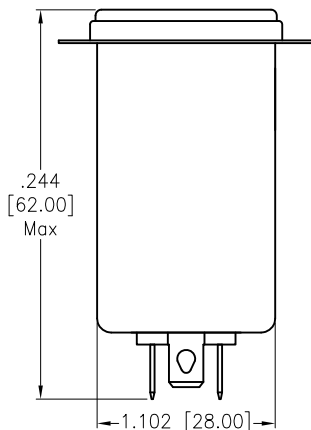
APPROVED: _____

DATE: _____ TITLE: _____

Rev	AWO #	Description	Date	Appr
-		RELEASED	5/24/23	
A		UPDATE DIM.	12/4/23	LH/SL
B		UPDATE DIM.	1/8/24	LH/SL



RECOMMENDED PANEL CUT



SPECIFICATIONS:

Electrical:

Voltage rating: 115/250 VAC
 Current rating: 115/250 VAC: 2A RMS max
 Operating frequency: 50/60Hz
 Leakage Current: Each Line To Ground
 @115VAC/60Hz 0.3mA max
 @250VAC/50Hz 0.6mA max

Hipot Rating(For 1 Minute)

A. Line to Ground: 2,250 VDC
 B. Line to Line: 500 VDC

IR: 50 Mohm @500 VDC Any Input or Output to Ground

Temperature Rating:
 -25°C to +85°C

Environmental:

Lead free, RoHS compliant



UNLESS OTHERWISE SPECIFIED ALL DIMENSIONS ARE INCHES [MM]. TOLERANCES: EXCEPT AS NOTED

INCHES		HOLES	
.X	± .10	ØX	±.10
.XX	± .020	ØXX	±.015
.XXX	± .015	ØXXX	±.010

DRAWN	LH	5/24/23
CHECKED	NL	5/24/23
APPROVED		

THIS DRAWING CONTAINS INFORMATION THAT IS PROPRIETARY AND SHOULD NOT BE USED WITHOUT PRIOR WRITTEN PERMISSION FROM ADAM TECH



909 Rahway Avenue,
 Union, NJ 07083
 Phone: 908-687-5000
 Fax: 908-687-5710

TITLE: FILTERED POWER ENTRY MODULE, W/ SWITCH
 115/250V AC, 2A, FLANGE MOUNT

SIZE X	PART NO. PLF-11B8-2A-Q-R	REV. B
REF: S00205C	SCALE: NTS	SHEET 1 OF 2

6

5

4

3

2

1

APPROVED: _____

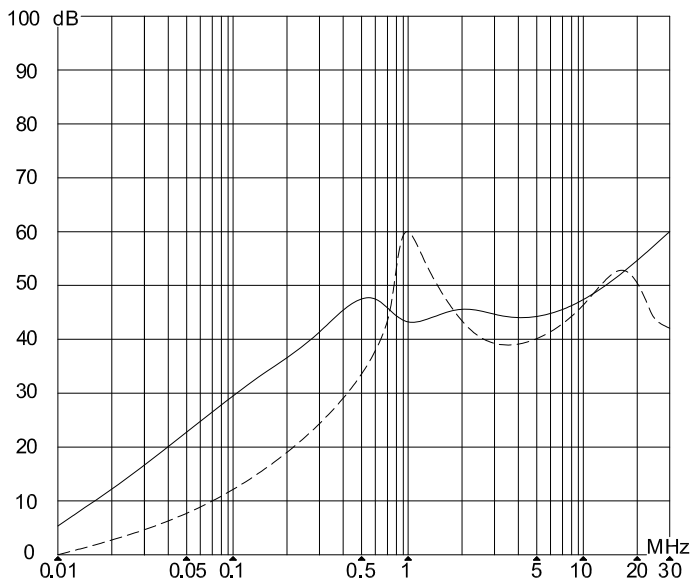
DATE: _____ TITLE: _____

Rev	AWO #	Description	Date	Appr
-----	-------	-------------	------	------

SEE SHT 1 OF 2 FOR REVISION

INSERTION LOSS(IN 50 ohm system according IEC/CISPR No.17):

———— common mode
 - - - - - differential mode




UNLESS OTHERWISE SPECIFIED ALL DIMENSIONS ARE INCHES [MM]. TOLERANCES: EXCEPT AS NOTED

INCHES		HOLES	
.X	± .10	∅X	±.10
.XX	± .020	∅XX	±.015
.XXX	± .015	∅XXX	±.010

DRAWN	LH	5/24/23
CHECKED	NL	5/24/23
APPROVED		

THIS DRAWING CONTAINS INFORMATION THAT IS PROPRIETARY AND SHOULD NOT BE USED WITHOUT PRIOR WRITTEN PERMISSION FROM ADAM TECH



909 Rahway Avenue,
 Union, NJ 07083
 Phone: 908-687-5000
 Fax: 908-687-5710

TITLE FILTERED POWER ENTRY MODULE, W/ SWITCH 115/250V AC, 2A, FLANGE MOUNT		
SIZE X	PART NO. PLF-11B8-2A-Q-R	REV. B
REF: S00205C	SCALE: NTS	SHEET 2 OF 2

6

5

4

3

2

1