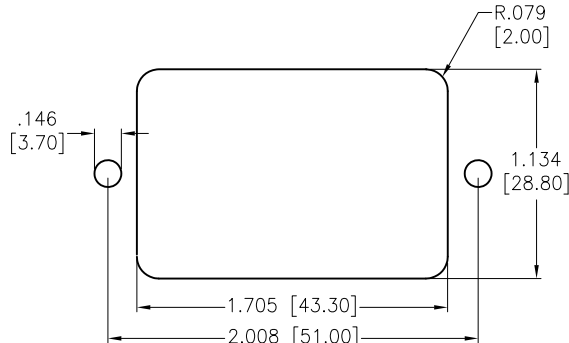
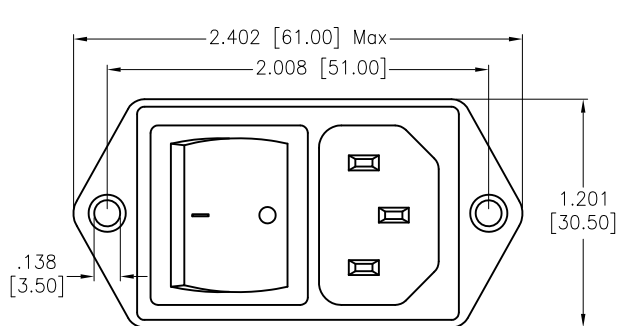


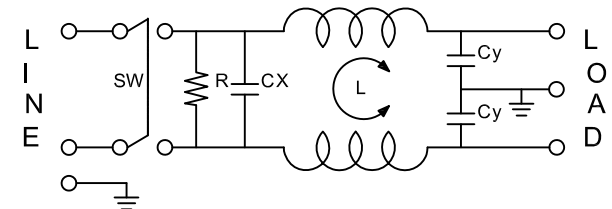
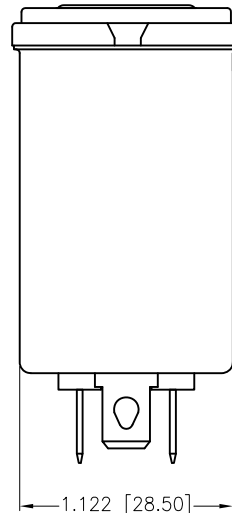
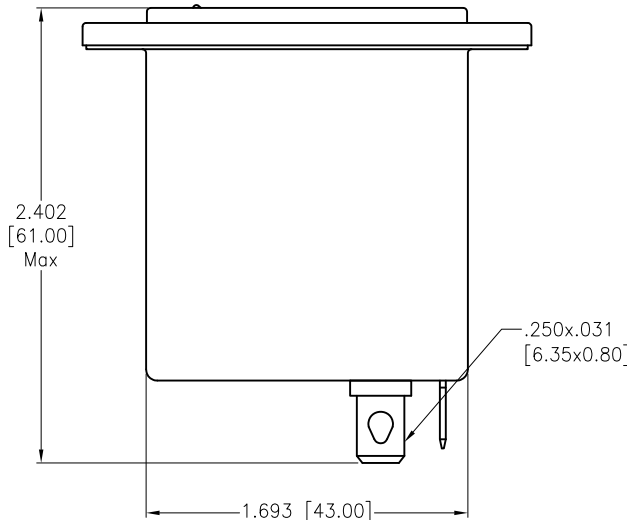
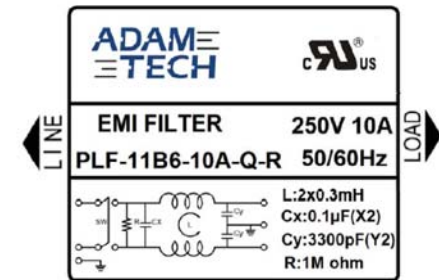
APPROVED: \_\_\_\_\_

DATE: \_\_\_\_\_ TITLE: \_\_\_\_\_

Rev	AWO #	Description	Date	Appr
-		RELEASED	5/29/23	



RECOMMENDED PANEL CUT



L: 2x0.3mH  
Cx: 0.1uF(X2)  
Cy: 3300pF(Y2)  
R: 1M ohm

SPECIFICATIONS:  
Electrical:

Voltage rating: 115/250 VAC  
Current rating: 115/250 VAC: 10A RMS max  
Operating frequency: 50/60Hz  
Leakage Current: Each Line To Ground  
@115VAC/60Hz 0.4mA max  
@250VAC/50Hz 0.8mA max

Hipot Rating(For 1 Minute)

A. Line to Ground: 2,250 VDC  
B. Line to Line: 500 VDC

IR: 50 Mohm @500 VDC Any Input or Output to Ground

Temperature Rating:  
-25°C to +85°C

Environmental:  
Lead free, RoHS compliant



UNLESS OTHERWISE SPECIFIED ALL DIMENSIONS ARE INCHES [MM]. TOLERANCES: EXCEPT AS NOTED

INCHES		HOLES	
.X	± .10	∅X	±.10
.XX	± .020	∅XX	±.015
.XXX	± .015	∅XXX	±.010

DRAWN	WX	5/29/23
CHECKED	RC	5/29/23
APPROVED		

THIS DRAWING CONTAINS INFORMATION THAT IS PROPRIETARY AND SHOULD NOT BE USED WITHOUT PRIOR WRITTEN PERMISSION FROM ADAM TECH



909 Rahway Avenue,  
Union, NJ 07083  
Phone: 908-687-5000  
Fax: 908-687-5710

TITLE  
FILTERED POWER ENTRY MODULE, W/ SWITCH  
115/250V AC, 10A, VERTICAL FLANGE MOUNT

SIZE X	PART NO. PLF-11B6-10A-Q-R	REV. -
REF: S00205C	SCALE: NTS	SHEET 1 OF 2

6

5

4

3

2

1

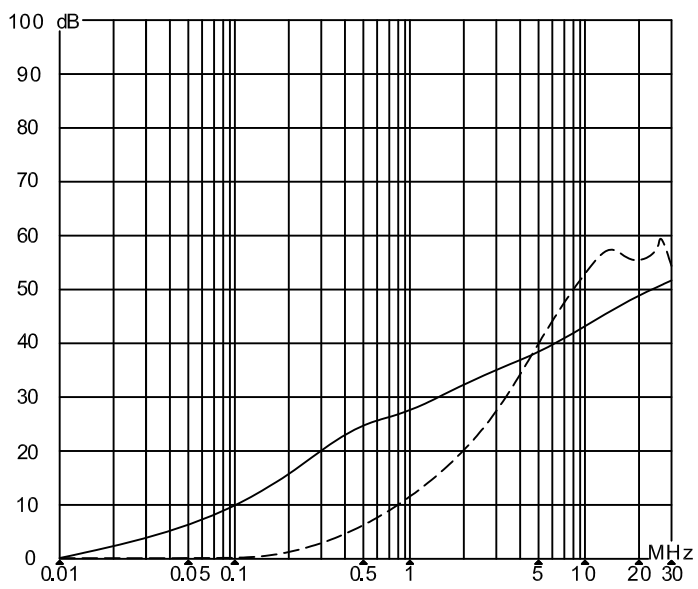
APPROVED: \_\_\_\_\_

DATE: \_\_\_\_\_ TITLE: \_\_\_\_\_

Rev	AWO #	Description	Date	Appr
SEE SHT 1 OF 2 FOR REVISION				

### INSERTION LOSS(IN 50 ohm system according IEC/CISPR

————— common mode  
 - - - - - differential mode



UNLESS OTHERWISE SPECIFIED ALL DIMENSIONS ARE INCHES [MM]. TOLERANCES: EXCEPT AS NOTED

INCHES		HOLES	
.X	± .10	∅X	±.10
.XX	± .020	∅XX	±.015
.XXX	± .015	∅XXX	±.010



909 Rahway Avenue,  
 Union, NJ 07083  
 Phone: 908-687-5000  
 Fax: 908-687-5710

DRAWN	WX	5/29/23
CHECKED	RC	5/29/23
APPROVED		

TITLE  
**FILTERED POWER ENTRY MODULE, W/ SWITCH  
 115/250V AC, 10A, VERTICAL FLANGE MOUNT**

THIS DRAWING CONTAINS INFORMATION THAT IS PROPRIETARY AND SHOULD NOT BE USED WITHOUT PRIOR WRITTEN PERMISSION FROM ADAM TECH

SIZE <b>X</b>	PART NO. <b>PLF-11B6-10A-Q-R</b>	REV. <b>-</b>
REF: S00205C	SCALE: NTS	SHEET 2 OF 2

6

5

4

3

2

1