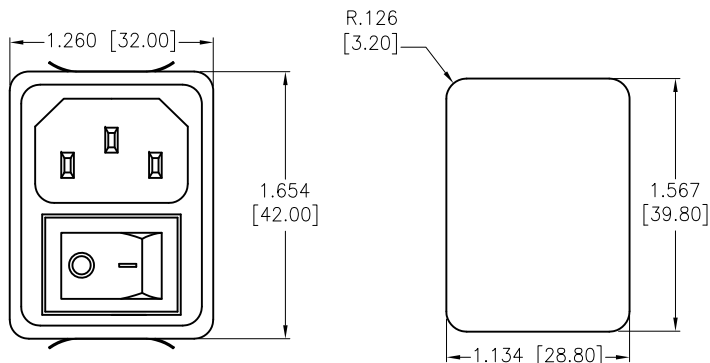


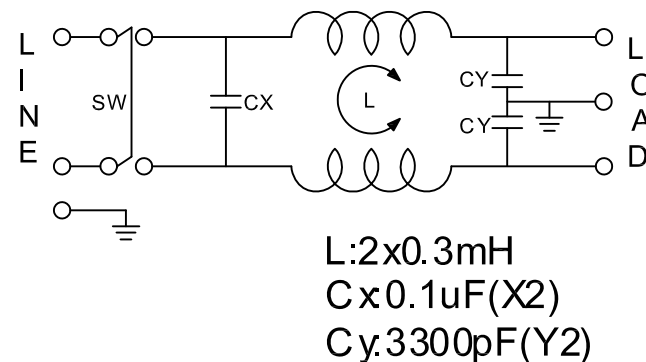
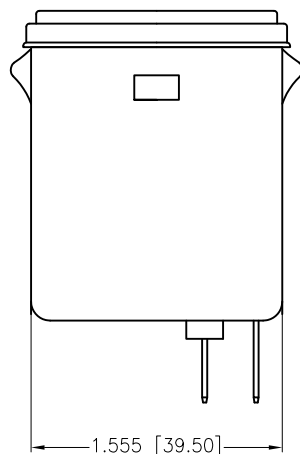
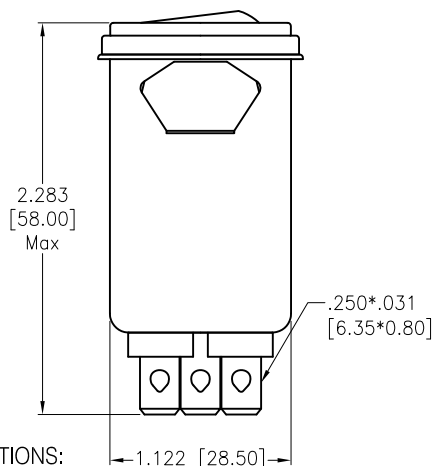
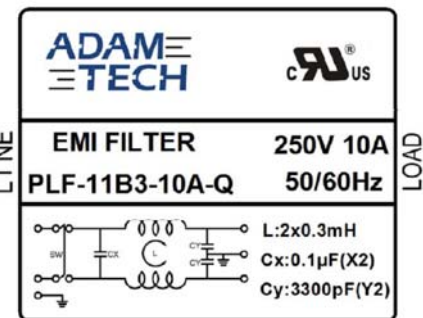
APPROVED: \_\_\_\_\_

DATE: \_\_\_\_\_ TITLE: \_\_\_\_\_

Rev	AWO #	Description	Date	Appr
-		RELEASED	5/29/23	



THICKNESS OF PANEL IS FROM 0.8mm TO 1.2mm  
RECOMMENDED PANEL CUT



SPECIFICATIONS:

Electrical:

- Voltage rating: 115/250 VAC
- Current rating: 115/250 VAC: 10A RMS max
- Operating frequency: 50/60Hz
- Leakage Current: Each Line To Ground
  - @115VAC/60Hz 0.4mA max
  - @250VAC/50Hz 0.8mA max

Hipot Rating(For 1 Minute)

- A. Line to Ground: 2,250 VDC
- B. Line to Line: 1,450 VDC

IR: 50 Mohm @500 VDC Any Input or Output to Ground

Temperature Rating:  
-25°C to +85°C

Environmental:

Lead free, RoHS compliant



UNLESS OTHERWISE SPECIFIED ALL DIMENSIONS ARE INCHES [MM]. TOLERANCES: EXCEPT AS NOTED		
INCHES		HOLES
.x ± .10	Øx ± .10	
.xx ± .020	Øxx ± .015	
.xxx ± .015	Øxxx ± .010	
DRAWN	WX	5/29/23
CHECKED	RC	5/29/23
APPROVED		
THIS DRAWING CONTAINS INFORMATION THAT IS PROPRIETARY AND SHOULD NOT BE USED WITHOUT PRIOR WRITTEN PERMISSION FROM ADAM TECH		

<b>ADAM TECH</b>	909 Rahway Avenue, Union, NJ 07083 Phone: 908-687-5000 Fax: 908-687-5710	
	TITLE FILTERED POWER ENTRY MODULE, W/ SWITCH 115/250V AC, 10A, SNAP IN PANEL MOUNT	
SIZE X	PART NO. PLF-11B3-10A-Q	REV. -
REF: S00205C	SCALE: NTS	SHEET 1 OF 2

6

5

4

3

2

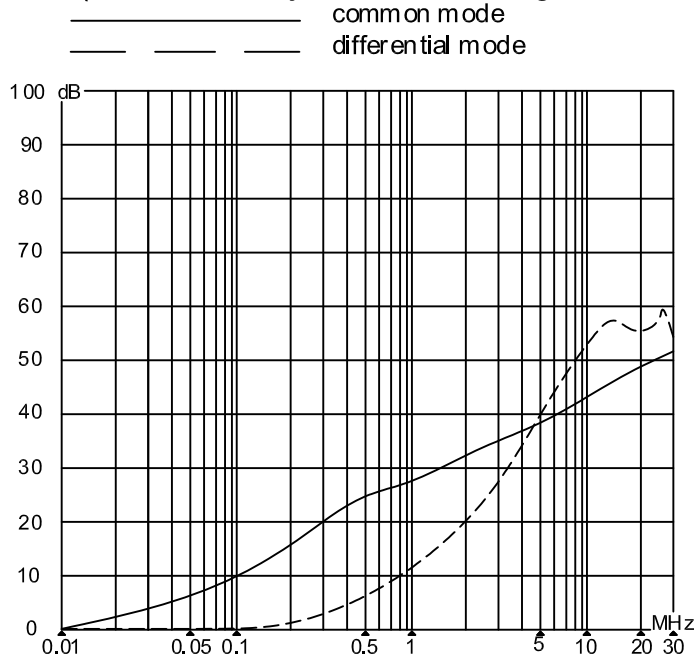
1

APPROVED: \_\_\_\_\_

DATE: \_\_\_\_\_ TITLE: \_\_\_\_\_

Rev	AWO #	Description	Date	Appr
SEE SHT 1 OF 2 FOR REVISION				

### INSERTION LOSS(IN 50 ohm system according IEC/CISPR



UNLESS OTHERWISE SPECIFIED ALL DIMENSIONS ARE INCHES [MM]. TOLERANCES: EXCEPT AS NOTED

INCHES		HOLES	
.X	± .10	∅X	±.10
.XX	± .020	∅XX	±.015
.XXX	± .015	∅XXX	±.010

DRAWN	WX	5/29/23
CHECKED	RC	5/29/23
APPROVED		

THIS DRAWING CONTAINS INFORMATION THAT IS PROPRIETARY AND SHOULD NOT BE USED WITHOUT PRIOR WRITTEN PERMISSION FROM ADAM TECH

**ADAM TECH** 909 Rahway Avenue,  
 Union, NJ 07083  
 Phone: 908-687-5000  
 Fax: 908-687-5710

TITLE FILTERED POWER ENTRY MODULE, W/ SWITCH 115/250V AC, 10A, SNAP IN PANEL MOUNT		
SIZE X	PART NO. PLF-11B3-10A-Q	REV. -
REF: S00205C	SCALE: NTS	SHEET 2 OF 2

6

5

4

3

2

1