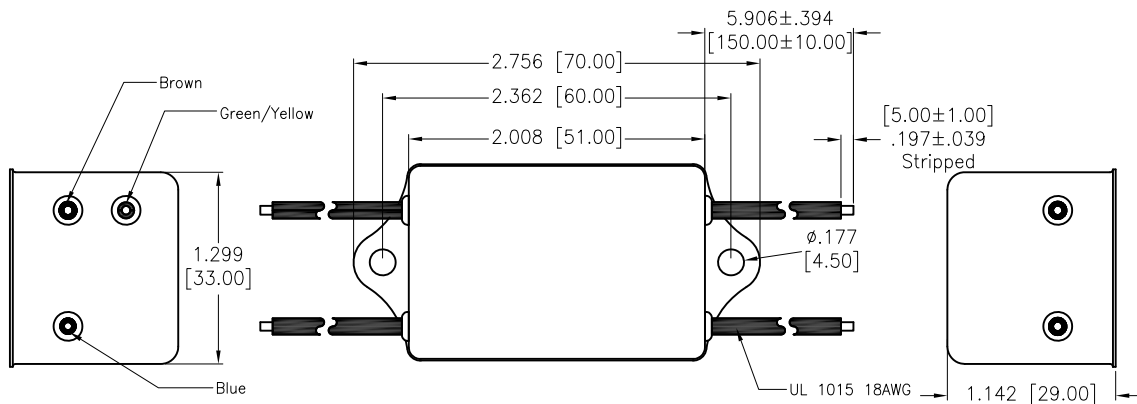


APPROVED: _____

DATE: _____ TITLE: _____

Rev	AWO #	Description	Date	Appr
-		RELEASED	5/29/23	
A		UPDATE TITLE	7/14/23	WX/RC
B		ADDED SPEC.	7/26/23	LH/RC
C		UPDATE TITLE	8/4/23	JJ/RC



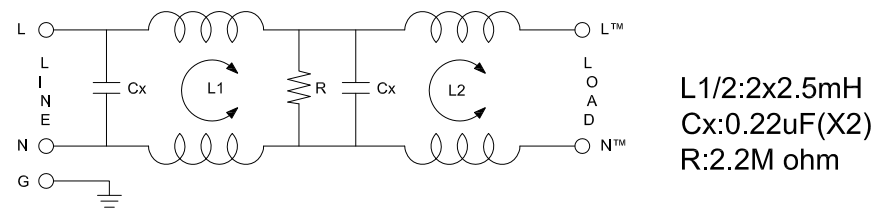
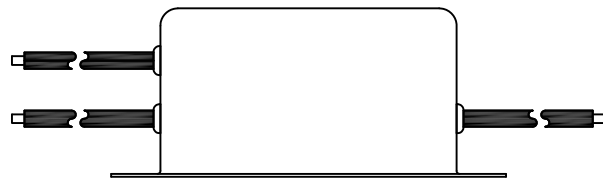
ADAM TECH

EMI FILTER **250V 3A**

PLF-22D1-3A-W-5 **50/60Hz**

L1/2:2x2.5mH
Cx:0.22µF(X2)
R:2.2M ohm

← LINE LOAD →



SPECIFICATIONS:

Electrical:
 Voltage rating: 115/250 VAC
 Current rating: 115/250 VAC: 3 A RMS max
 Operating frequency: 50/60Hz
 Leakage Current: Each Line To Ground
 @115VAC/60Hz 2.0uA max
 @250VAC/50Hz 5.0uA max

Hipot Rating(For 1 Minute)

A. Line to Ground: 2,250 VDC
 B. Line to Line: 500 VDC

IR: 50 Mohm @500 VDC Any Input or Output to Ground

Temperature Rating:
 -25°C to +85°C

Environmental:

Lead free, RoHS compliant Medical Grade

UNLESS OTHERWISE SPECIFIED ALL DIMENSIONS ARE INCHES [MM]. TOLERANCES: EXCEPT AS NOTED		
INCHES	HOLES	
.X ± .10	ØX ±.10	
.XX ± .020	ØXX ±.015	
.XXX ± .015	ØXXX ±.010	
DRAWN	JJ	5/29/23
CHECKED	RC	5/29/23
APPROVED		
THIS DRAWING CONTAINS INFORMATION THAT IS PROPRIETARY AND SHOULD NOT BE USED WITHOUT PRIOR WRITTEN PERMISSION FROM ADAM TECH		

ADAM TECH

909 Rahway Avenue,
Union, NJ 07083
Phone: 908-687-5000
Fax: 908-687-5710

TITLE
EMI/RFI POWER LINE FILTER, MEDICAL GRADE, 115/250VAC
3A, SMALL OUTLINE, WIRE LEADS, CHASSIS MOUNT

SIZE X	PART NO. PLF-22D1-3A-W-5	REV. C
REF: S00205C	SCALE: NTS	SHEET 1 OF 2

6

5

4

3

2

1

APPROVED: _____

DATE: _____ TITLE: _____

Rev

AWO #

Description

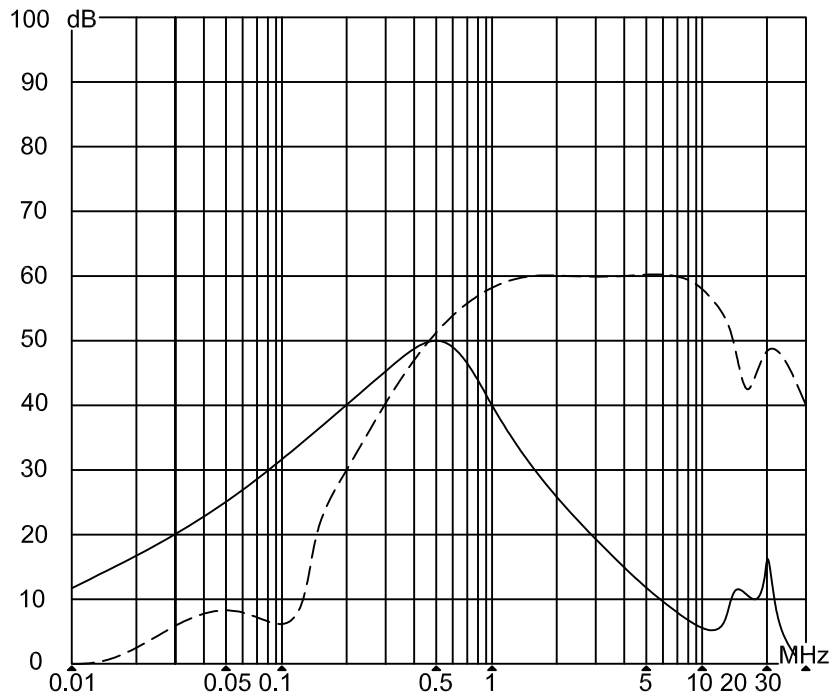
Date

Appr

SEE SHT 1 OF 2 FOR REVISION

INSERTION LOSS(IN 50 ohm system according IEC/CISPR No.17):

_____ common mode
 _____ differential mode



UNLESS OTHERWISE SPECIFIED ALL DIMENSIONS ARE INCHES [MM]. TOLERANCES: EXCEPT AS NOTED

INCHES		HOLES	
.X	± .10	∅X	±.10
.XX	± .020	∅XX	±.015
.XXX	± .015	∅XXX	±.010



909 Rahway Avenue,
 Union, NJ 07083
 Phone: 908-687-5000
 Fax: 908-687-5710

DRAWN	JJ	5/29/23
CHECKED	RC	5/29/23
APPROVED		
THIS DRAWING CONTAINS INFORMATION THAT IS PROPRIETARY AND SHOULD NOT BE USED WITHOUT PRIOR WRITTEN PERMISSION FROM ADAM TECH		

TITLE EMI/RFI POWER LINE FILTER, MEDICAL GRADE, 115/250VAC 3A, SMALL OUTLINE, WIRE LEADS, CHASSIS MOUNT		
SIZE X	PART NO. PLF-22D1-3A-W-5	REV. C
REF: S00205C	SCALE: NTS	SHEET 2 OF 2

6

5

4

3

2

1