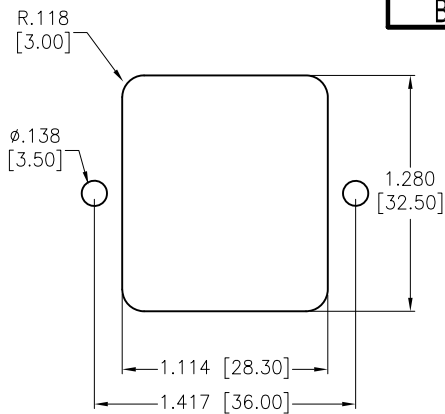
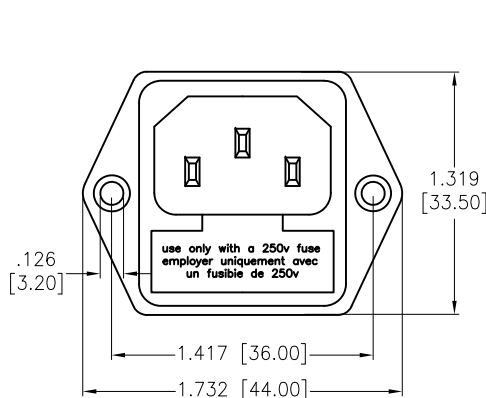


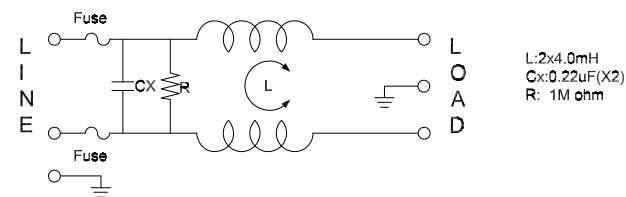
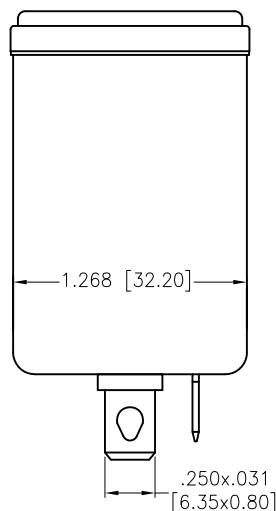
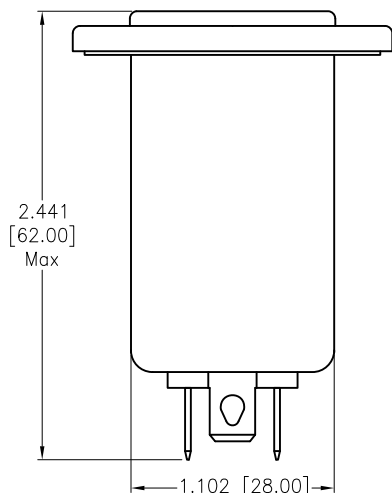
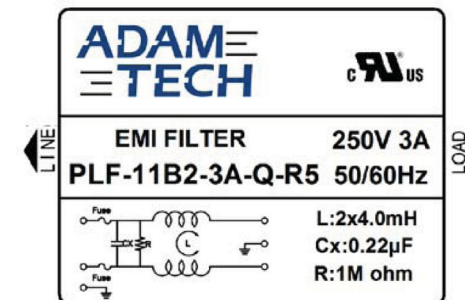
APPROVED: _____

DATE: _____ TITLE: _____

| Rev | AWO # | Description | Date | Appr |
|-----|-------|---------------|---------|-------|
| - | | RELEASED | 11/7/22 | |
| A | | UPDATED TITLE | 7/14/23 | JJ/RC |
| B | | ADDED SPEC. | 7/25/23 | LH/RC |



RECOMMENDED PANEL CUT



SPECIFICATIONS:

Electrical:

- Voltage rating: 115/250 VAC
- Current rating: 115/250 VAC: 3A RMS max
- Leakage Current: Each Line To Ground
 - @115VAC/60HZ 2.0uA max
 - @250VAC/50HZ 5.0uA max

Hipot Rating(For 1 Minute)

- A. Line to Ground: 2,250 VDC
- B. Line to Line: 500 VDC

IR: 50 Mohm @500 VDC Any Input or Output to Ground

Temperature Rating:
-25°C to +85°C

Environmental:

Lead free, RoHS compliant



Medical Grade



UNLESS OTHERWISE SPECIFIED ALL DIMENSIONS ARE INCHES [MM]. TOLERANCES: EXCEPT AS NOTED

| INCHES | | HOLES | |
|--------|--------|-------|-------|
| .X | ± .10 | ØX | ±.10 |
| .XX | ± .020 | ØXX | ±.015 |
| .XXX | ± .015 | ØXXX | ±.010 |

| | | |
|----------|----|---------|
| DRAWN | WX | 11/7/22 |
| CHECKED | RC | 11/7/22 |
| APPROVED | | |

THIS DRAWING CONTAINS INFORMATION THAT IS PROPRIETARY AND SHOULD NOT BE USED WITHOUT PRIOR WRITTEN PERMISSION FROM ADAM TECH



909 Rahway Avenue,
Union, NJ 07083
Phone: 908-687-5000
Fax: 908-687-5710

TITLE
FILTERED POWER ENTRY MODULE, MEDICAL GRADE
115/250VAC 3A, DUAL FUSE INLET, FLANGE MOUNT

| | | |
|--------------|------------------------------|--------------|
| SIZE X | PART NO. PLF-11B2-3A-Q-R5 | REV. A |
| REF: S00205C | SCALE: NTS | SHEET 1 OF 2 |

6

5

4

3

2

1

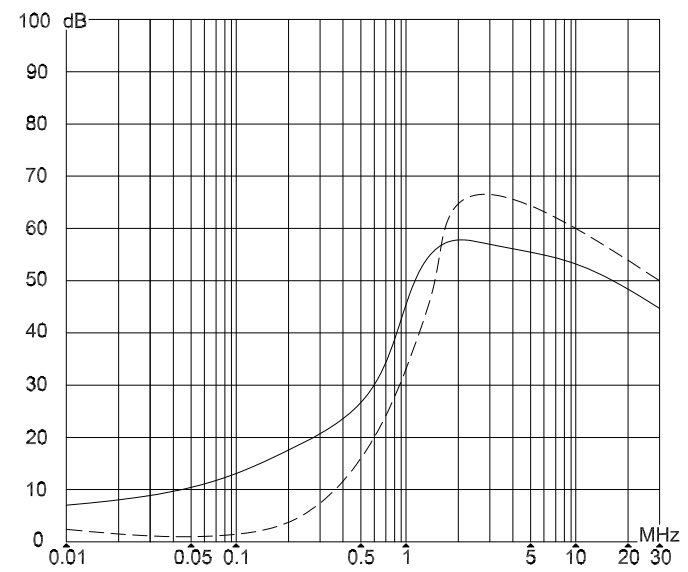
APPROVED: _____

DATE: _____ TITLE: _____

| Rev | AWO # | Description | Date | Appr |
|-----------------------------|-------|-------------|------|------|
| SEE SHT 1 OF 2 FOR REVISION | | | | |

INSERTION LOSS(IN 50 ohm system according IEC/CISPR)

_____ (common mode)
 _____ (differential mode)



UNLESS OTHERWISE SPECIFIED ALL DIMENSIONS ARE INCHES [MM]. TOLERANCES: EXCEPT AS NOTED

| | | | |
|--------|--------|-------|-------|
| INCHES | | HOLES | |
| .X | ± .10 | ∅X | ±.10 |
| .XX | ± .020 | ∅XX | ±.015 |
| .XXX | ± .015 | ∅XXX | ±.010 |

ADAM TECH

909 Rahway Avenue,
Union, NJ 07083
Phone: 908-687-5000
Fax: 908-687-5710

| | | |
|----------|----|---------|
| DRAWN | WX | 11/7/22 |
| CHECKED | RC | 11/7/22 |
| APPROVED | | |

TITLE
**FILTERED POWR ENTRY MODULE, MEDICAL GRADE
115/250VAC 3A, DUAL FUSE INLET, FLANGE MOUNT**

THIS DRAWING CONTAINS INFORMATION THAT IS PROPRIETARY AND SHOULD NOT BE USED WITHOUT PRIOR WRITTEN PERMISSION FROM ADAM TECH

| | | |
|------------------|-------------------------------------|------------------|
| SIZE X | PART NO. PLF-11B2-3A-Q-R5 | REV. B |
| REF: S00205C | SCALE: NTS | SHEET 2 OF 2 |

6

5

4

3

2

1