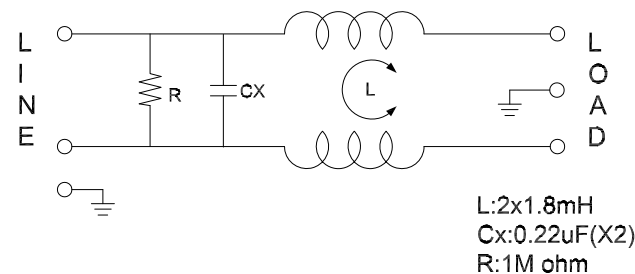
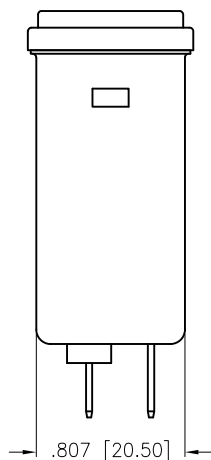
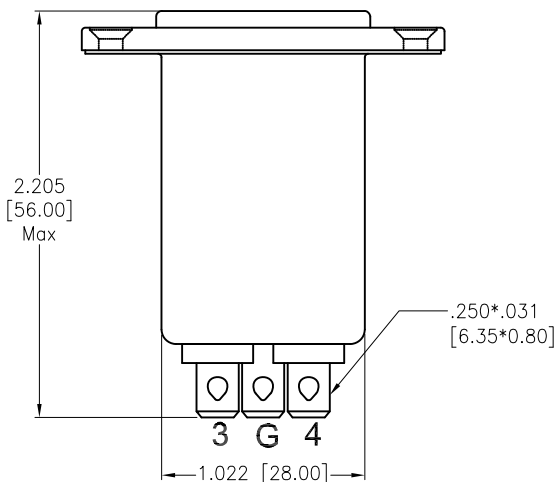
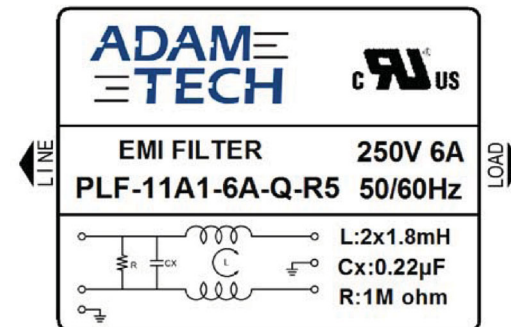
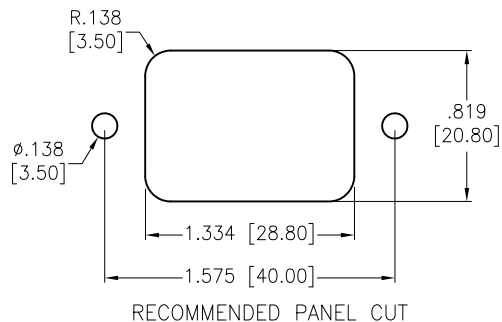
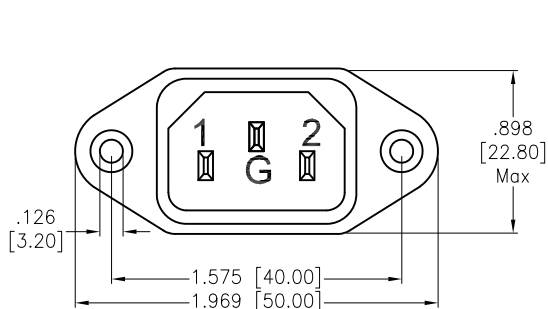


APPROVED: _____

DATE: _____ TITLE: _____

Rev	AWO #	Description	Date	Appr
-		RELEASED	11/7/22	
A		UPDATED TITLE	7/14/23	JJ/RC
B		ADDED SPEC.	7/25/23	LH/RC



SPECIFICATIONS:

Electrical:

Voltage rating: 115/250 VAC
 Current rating: 115/250 VAC: 6A RMS max
 Leakage Current: Each Line To Ground
 @115VAC/60HZ 2.0uA max
 @250VAC/50HZ 5.0uA max

Hipot Rating(For 1 Minute)

A. Line to Ground: 2,250 VDC
 B. Line to Line: 500 VDC

IR: 50 Mohm @500 VDC Any Input or Output to Ground

Temperature Rating:
 -25°C to +85°C

Environmental:

Lead free, RoHS compliant



Medical Grade

UNLESS OTHERWISE SPECIFIED ALL DIMENSIONS ARE INCHES [MM]. TOLERANCES: EXCEPT AS NOTED

INCHES		HOLES	
.X	± .10	ØX	±.10
.XX	± .020	ØXX	±.015
.XXX	± .015	ØXXX	±.010

DRAWN	WX	11/7/22
CHECKED	RC	11/7/22
APPROVED		

THIS DRAWING CONTAINS INFORMATION THAT IS PROPRIETARY AND SHOULD NOT BE USED WITHOUT PRIOR WRITTEN PERMISSION FROM ADAM TECH



909 Rahway Avenue,
 Union, NJ 07083
 Phone: 908-687-5000
 Fax: 908-687-5710

TITLE
**FILTERED POWR ENTRY MODULE, MEDICAL GRADE
 115/250VAC 6A, INLET, FLANGE MOUNT**

SIZE X	PART NO. PLF-11A1-6A-Q-R5	REV. B
REF: S00205C	SCALE: NTS	SHEET 1 OF 2

6

5

4

3

2

1

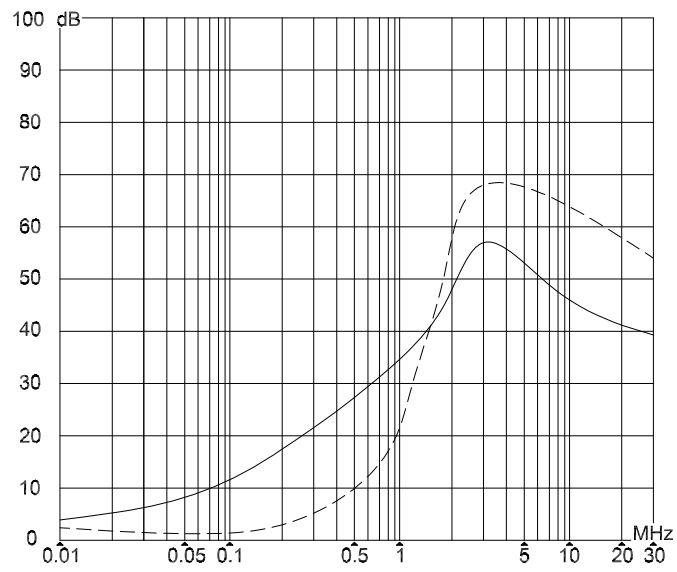
APPROVED: _____

DATE: _____ TITLE: _____

Rev	AWO #	Description	Date	Appr
SEE SHT 1 OF 2 FOR REVISION				

INSERTION LOSS(IN 50 ohm system according IEC/CISPR

_____ (common mode)
 _____ (differential mode)



UNLESS OTHERWISE SPECIFIED ALL DIMENSIONS ARE INCHES [MM]. TOLERANCES: EXCEPT AS NOTED

INCHES		HOLES	
.X	± .10	∅X	±.10
.XX	± .020	∅XX	±.015
.XXX	± .015	∅XXX	±.010

ADAM TECH
 909 Rahway Avenue,
 Union, NJ 07083
 Phone: 908-687-5000
 Fax: 908-687-5710

DRAWN	WX	11/7/22
CHECKED	RC	11/7/22
APPROVED		

TITLE
**FILTERED POWR ENTRY MODULE, MEDICAL GRADE
 115/250VAC 6A, INLET, FLANGE MOUNT**

THIS DRAWING CONTAINS INFORMATION THAT IS PROPRIETARY AND SHOULD NOT BE USED WITHOUT PRIOR WRITTEN PERMISSION FROM ADAM TECH

SIZE X	PART NO. PLF-11A1-6A-Q-R5	REV. B
REF: S00205C	SCALE: NTS	SHEET 2 OF 2

6

5

4

3

2

1