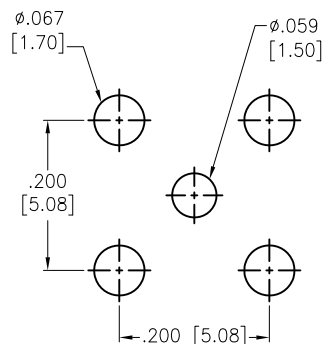
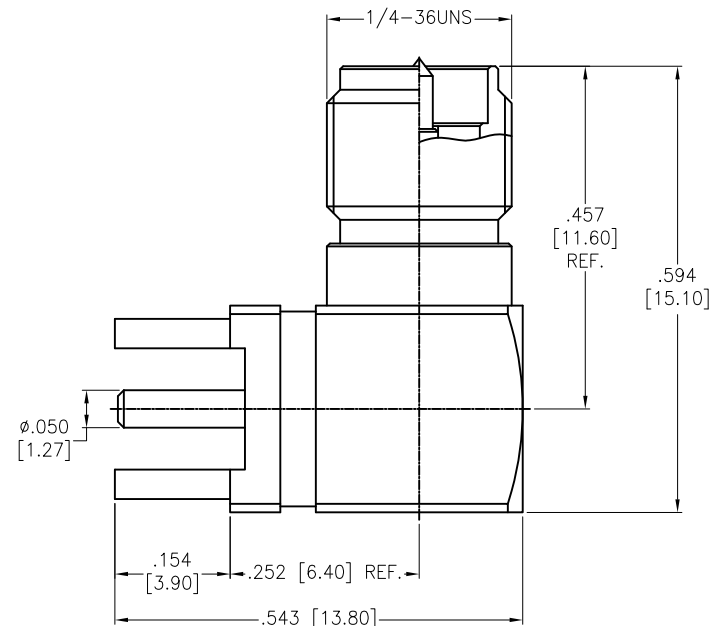
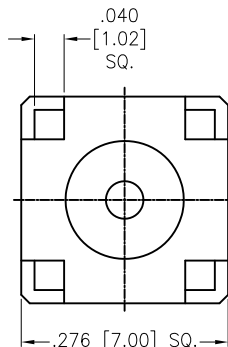


APPROVED: \_\_\_\_\_  
 DATE: \_\_\_\_\_ TITLE: \_\_\_\_\_

Rev	AWO #	Description	Date	Appr
-		RELEASED	12/7/17	
A		UPDATED DIM.	1/9/19	HR/IW



RECOMMENDED PCB LAYOUT



INSULATOR	PTFE	WHITE
HOUSING	BRASS	GOLD
CONTACT PIN	BRASS	GOLD
INSULATOR	PTFE	WHITE
BODY	BRASS	GOLD
DESCRIPTION	MATERIAL	FINISH

**SPECIFICATIONS:**

Electrical:  
 Frequency range: DC-6 GHz  
 Nominal Impedance: 50 Ohms  
 Working Voltage: 335 VOLTS max  
 Proof Voltage: 1000 VOLTS  
 Temperature Rating:  
 Operating temperature: -65°C to +165°C  
 Environmental:  
 Lead free, RoHS compliant.



UNLESS OTHERWISE SPECIFIED ALL DIMENSIONS ARE INCHES [MM] TOLERANCES: EXCEPT AS NOTED		<b>ADAM TECH</b> INTERCONNECTS		909 Rahway Avenue, Union, NJ 07083 Phone: 908-687-5000 Fax: 908-687-5710	
INCHES HOLES				TITLE	
.X ± .10	Ø.X ± .10	RF CONNECTOR, SMA JACK R/A PCB MOUNT			
.XX ± .020	Ø.XX ± .015	MALE PIN			
.XXX ± .015	Ø.XXX ± .010	APPROVALS	DATE	SIZE	PART NO.
DRAWN AY		12/7/17		X	RF2-03E-T-00-50-G-RP
CHECKED OC		12/7/17		REV.	A
APPROVED				REF: S00277T	SCALE: NTS
				SHEET 1 OF 1	