

APPROVED: _____
 DATE: _____ TITLE: _____

Rev	AWO #	Description	Date	Appr
-		RELEASED	11/1/22	
A		UPDATED SPEC.	11/30/22	JJ/RC

D

D

C

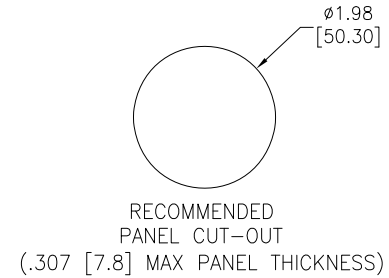
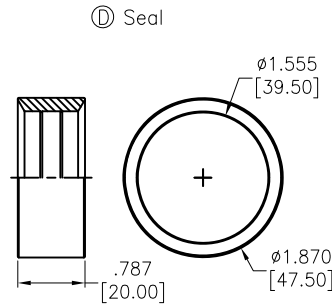
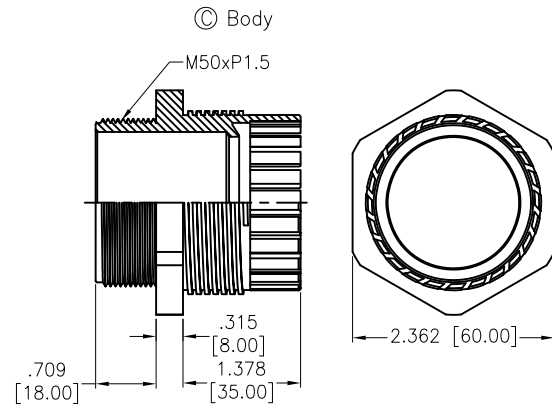
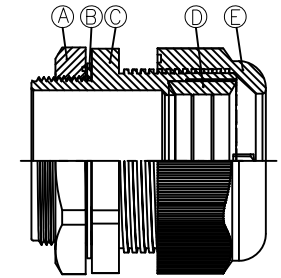
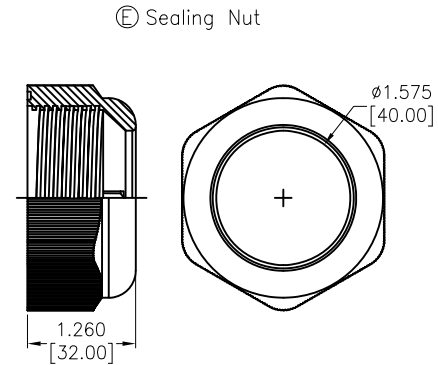
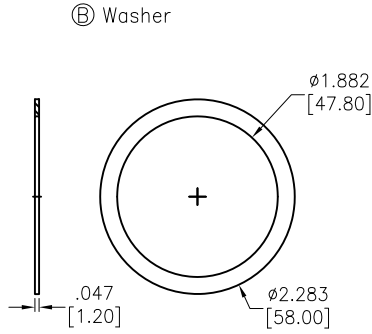
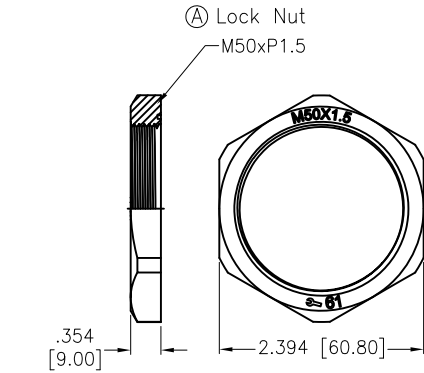
C

B

B

A

A



SPECIFICATIONS:

Material:
 Lock Nut: PA66, rated UL 94V-2
 Body: PA66, rated UL 94V-2
 Sealing Nut: PA66, rated UL 94V-2
 Washer: NBR
 Seal: NBR
 Mechanical:
 Cable Range (O.D.): 30-38mm
 Thread O.D. L2: 50mm
 Thread Length L2: 18mm
 Spanner Size A&E: 61/60mm
 Nut Torque: 4Nm Max.
 Environmental:
 Waterproof: IP68
 Lead free, RoHS compliant.



UNLESS OTHERWISE SPECIFIED ALL DIMENSIONS ARE INCHES [MM]. TOLERANCES: EXCEPT AS NOTED		
INCHES	HOLES	
.X ± .10	Ø.X ± .10	
.XX ± .020	Ø.XX ± .015	
.XXX ± .015	Ø.XXX ± .010	
DRAWN	WX	11/1/22
CHECKED	RC	11/1/22
APPROVED		
THIS DRAWING CONTAINS INFORMATION THAT IS PROPRIETARY AND SHOULD NOT BE USED WITHOUT PRIOR WRITTEN PERMISSION FROM ADAM TECH		

ADAM TECH 909 Rahway Avenue,
 Union, NJ 07083
 Phone: 908-687-5000
 Fax: 908-687-5710

TITLE		REV. A
WATERPROOF CONNECTOR, M50, 1 HOLE, CABLE GLAND, WATERPROOF: IP68		
SIZE X	PART NO. CG-P-M50-1.5	
REF: S00211C	SCALE: NTS	SHEET 1 OF 1

6

5

4

3

2

1