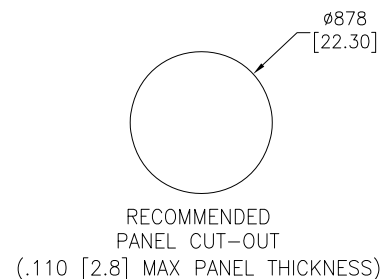
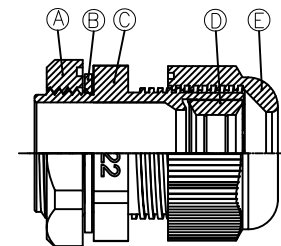
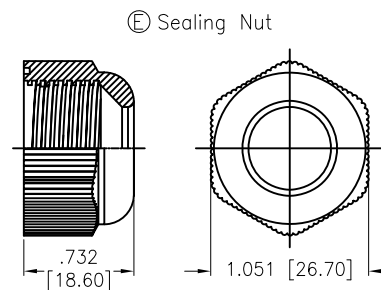
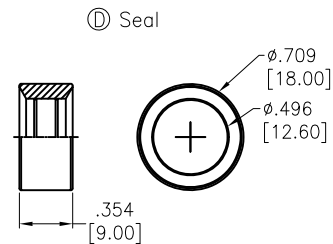
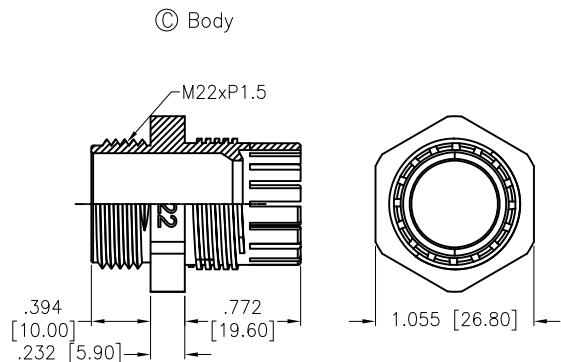
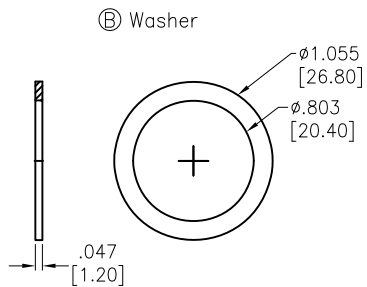
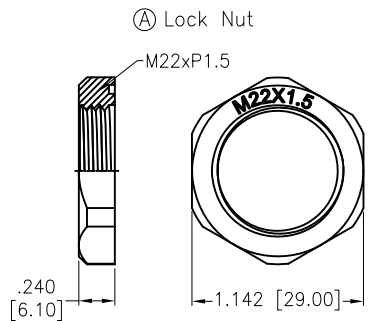


APPROVED: \_\_\_\_\_  
 DATE: \_\_\_\_\_ TITLE: \_\_\_\_\_

Rev	AWO #	Description	Date	Appr
-		RELEASED	11/1/22	
A		UPDATE SPEC.	11/30/22	JJ/RC



**SPECIFICATIONS:**

Material:  
 Lock Nut: PA66, rated UL 94V-2  
 Body: PA66, rated UL 94V-2  
 Sealing Nut: PA66, rated UL 94V-2  
 Washer: Nitrile Butylene  
 Seal: Nitrile Butylene  
 Mechanical:  
 Cable range O.D.:  $\phi$ .315~ $\phi$ .512 [8.00~13.00mm]  
 Nut Torque: 2.5Nm Max.  
 Environmental:  
 Waterproof: IP68  
 Lead free, RoHS compliant.



UNLESS OTHERWISE SPECIFIED ALL DIMENSIONS ARE INCHES [MM]. TOLERANCES: EXCEPT AS NOTED		
INCHES	HOLES	
.X ± .10	ØX	±.10
.XX ± .020	ØXX	±.015
.XXX ± .015	ØXXX	±.010
DRAWN	LH	11/1/22
CHECKED	RC	11/1/22
APPROVED		
THIS DRAWING CONTAINS INFORMATION THAT IS PROPRIETARY AND SHOULD NOT BE USED WITHOUT PRIOR WRITTEN PERMISSION FROM ADAM TECH		

**ADAM TECH** 909 Rahway Avenue,  
 Union, NJ 07083  
 Phone: 908-687-5000  
 Fax: 908-687-5710

TITLE WATERPROOF CONNECTOR, M22, 1 HOLE, CABLE GLAND, WATERPROOF: IP68		
SIZE X	PART NO. CG-P-M22	REV. A
REF: S00211C	SCALE: NTS	SHEET 1 OF 1