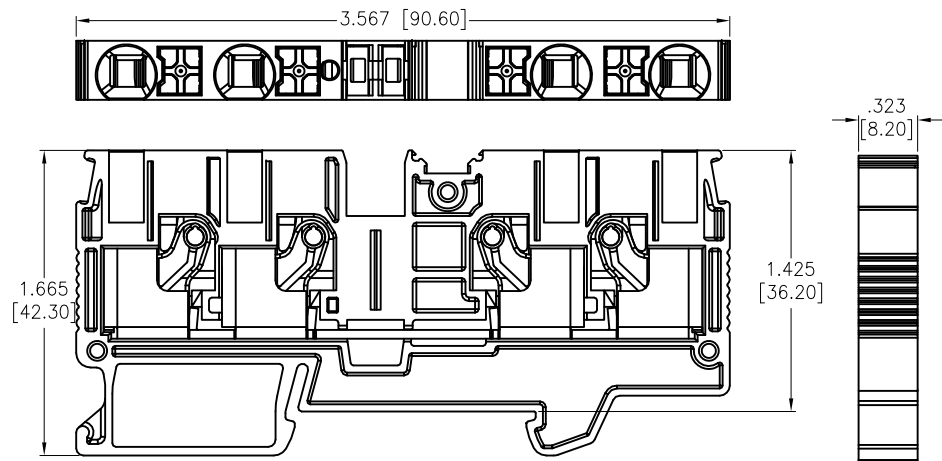
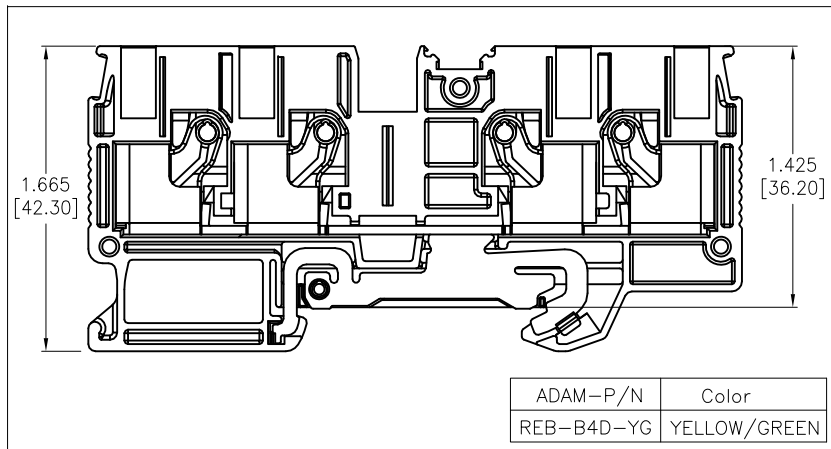


APPROVED: \_\_\_\_\_  
 DATE: \_\_\_\_\_ TITLE: \_\_\_\_\_

Rev	AWO #	Description	Date	Appr
-		RELEASED	10/7/22	
A		UPDATE SPEC.	9/8/23	LH/RC

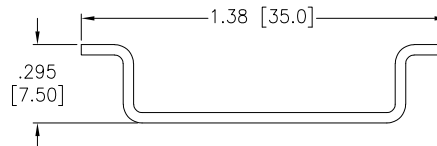


**SPECIFICATIONS:**

**Material:**  
 Insulator: PA66, rated UL 94V-0  
 Insulator Color: See Chart  
 Contacts: Copper Alloy, Tin Plated  
**Electrical:**  
 Voltage rating: 600 VAC  
 Current rating: 40 Amp  
 Dielectric withstanding voltage: 2200 VAC for 1 minute  
**Mechanical:**  
 Recommended Wire Size:  
 Solid: 20-8AWG (0.5-8.3mm<sup>2</sup>)  
 Stranded: 20-10AWG (0.5-5.3mm<sup>2</sup>)  
 Stripping Length: .394"~.472" (10-12mm)  
 Temperature Rating:  
 Operating temperature: -40°C to +105°C  
**Environmental:**  
 Lead free, RoHS compliant.



**RECOMMENDED RAIL SIZE**  
 35.0mm X 7.5mm



Color
OR=Orange
BU=Blue
GY=Gray
YG=Yellow/Green

ADAM-P/N	Color
REB-B4D-OR	ORANGE
REB-B4D-BU	BLUE
REB-B4D-GY	GRAY
REB-B4D-YG	YELLOW/GREEN

UNLESS OTHERWISE SPECIFIED ALL DIMENSIONS ARE INCHES [MM]. TOLERANCES: EXCEPT AS NOTED

INCHES		HOLES	
.x	±.10	∅x	±.10
.xx	±.020	∅xx	±.015
.xxx	±.015	∅xxx	±.010



909 Rahway Avenue,  
 Union, NJ 07083  
 Phone: 908-687-5000  
 Fax: 908-687-5710

DRAWN	JJ	10/7/22
CHECKED	RC	10/7/22
APPROVED		

TITLE: DIN RAIL TERMINAL BLOCKS, GUV 4 HOLE, 6.0 FLEXIBLE

THIS DRAWING CONTAINS INFORMATION THAT IS PROPRIETARY AND SHOULD NOT BE USED WITHOUT PRIOR WRITTEN PERMISSION FROM ADAM TECH

SIZE	PART NO.	REV.
X	REB-B4D-XX	A

REF: S00067C SCALE: NTS SHEET 1 OF 1