

6

5

4

3

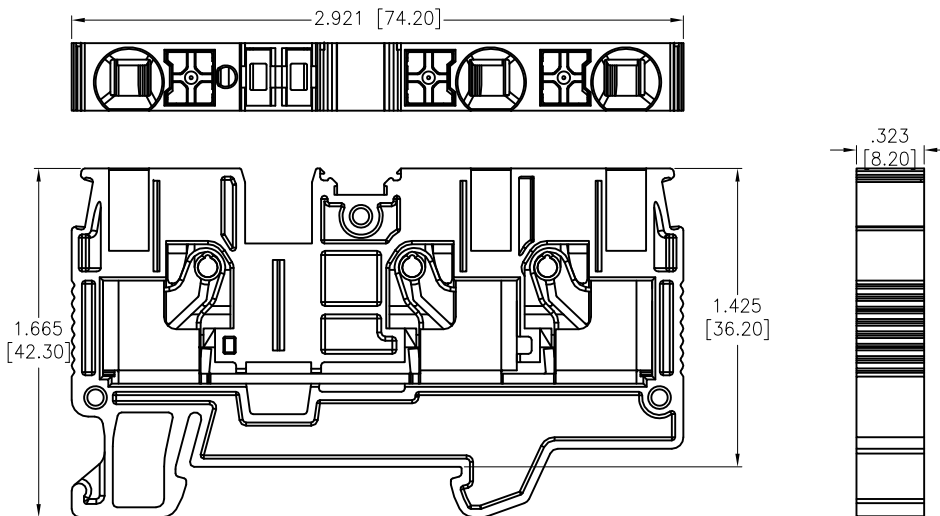
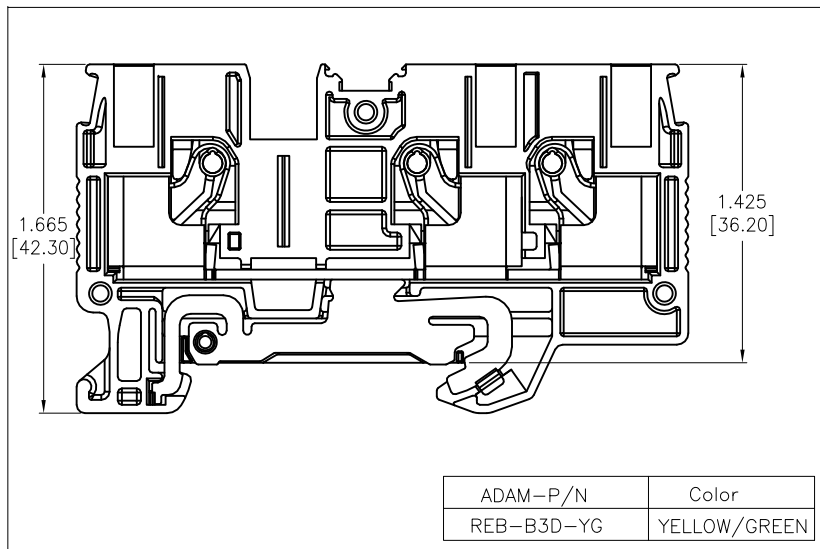
2

1

APPROVED: _____

DATE: _____ TITLE: _____

Rev	AWO #	Description	Date	Appr
-		RELEASED	10/7/22	
A		UPDATE SPEC.	9/8/23	LH/RC

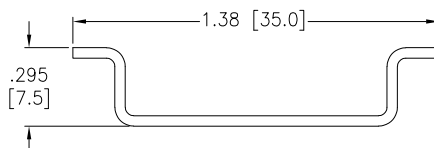


SPECIFICATIONS:

Material:
 Insulator: PA66, rated UL 94V-0
 Insulator Color: See Chart
 Contacts: Copper Alloy, Tin Plated
 Electrical:
 Voltage rating: 600 VAC
 Current rating: 40 Amp
 Dielectric withstanding voltage: 2200 VAC for 1 minute
 Mechanical:
 Recommended Wire Size:
 Solid: 20-8 Awg (0.5-8.3mm²)
 Stranded: 20-10 Awg (0.5-5.3mm²)
 Stripping Length: .394"~.472" (10-12mm)
 Temperature Rating:
 Operating temperature: -40°C to +105°C
 Environmental:
 Lead free, RoHS compliant.



RECOMMENDED RAIL SIZE
 35.0mm X 7.5mm



REB-B 3 D -XX	Color
Solid/Stranded:	OR=Orange
Solid: 20-8 Awg (0.5-8.3mm ²)	BU=Blue
Stranded: 20-10 Awg (0.5-5.3mm ²)	GY=Gray
	YG=Yellow/Green

ADAM-P/N	Color
REB-B3D-OR	ORANGE
REB-B3D-BU	BLUE
REB-B3D-GY	GRAY
REB-B3D-YG	YELLOW/GREEN

UNLESS OTHERWISE SPECIFIED ALL DIMENSIONS ARE INCHES [MM]. TOLERANCES: EXCEPT AS NOTED

INCHES		HOLES	
.x	± .10	∅x	± .10
.xx	± .020	∅xx	± .015
.xxx	± .015	∅xxx	± .010

ADAM TECH 909 Rahway Avenue,
 Union, NJ 07083
 Phone: 908-687-5000
 Fax: 908-687-5710

DRAWN	WX	10/7/22
CHECKED	RC	10/7/22
APPROVED		

TITLE		
DIN RAIL TERMINAL BLOCKS, GUV 3 HOLE, 6.0 FLEXIBLE		
SIZE	PART NO.	REV.
X	REB-B3D-XX	A

THIS DRAWING CONTAINS INFORMATION THAT IS PROPRIETARY AND SHOULD NOT BE USED WITHOUT PRIOR WRITTEN PERMISSION FROM ADAM TECH

REF:	S00067C	SCALE:	NTS	SHEET	1 OF 1
------	---------	--------	-----	-------	--------

6

5

4

3

2

1