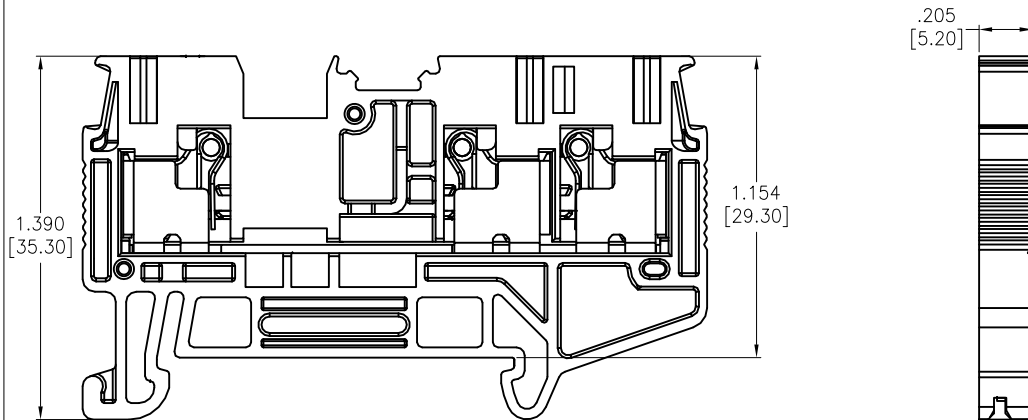
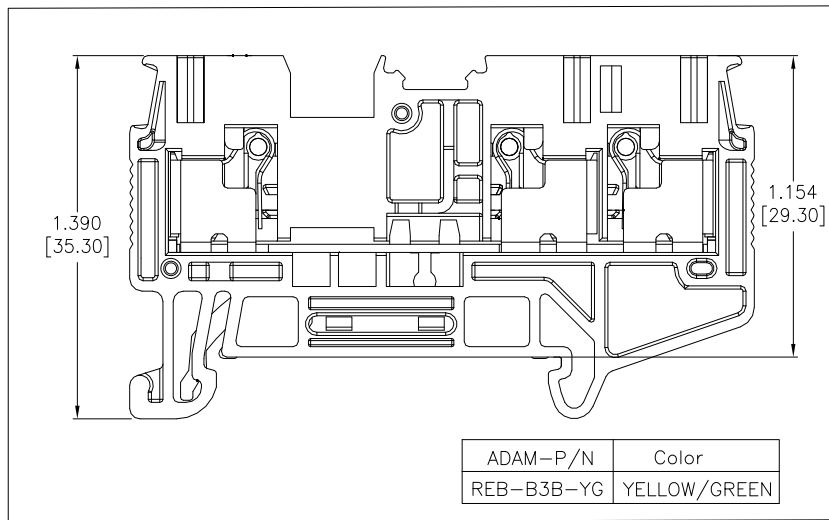


APPROVED: _____
 DATE: _____ TITLE: _____

Rev	AWO #	Description	Date	Appr
-		RELEASED	10/7/22	
A		UPDATE SPEC.	9/8/23	LH/RC



SPECIFICATIONS:

Material:
 Insulator: PA66, rated UL 94V-0
 Insulator Color: See Chart
 Contacts: Copper Alloy, Tin Plated

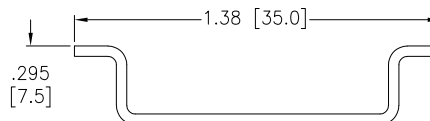
Electrical:
 Voltage rating: 600 VAC
 Current rating: 20 Amp
 Dielectric withstanding voltage: 2200 VAC for 1 minute

Mechanical:
 Recommended Wire Size:
 Solid: 24-12AWG (0.2-3.3mm²)
 Stranded: 24-14AWG (0.2-2.1mm²)
 Stripping Length: .315"~.394" (8-10mm)
 Temperature Rating:
 Operating temperature: -40°C to +105°C

Environmental:
 Lead free, RoHS compliant.



RECOMMENDED RAIL SIZE
 35.0mm X 7.5mm



REB-B 3 B -XX	Color
Solid/Stranded:	OR=Orange
Solid: 24-12 Awg (0.2-3.3mm ²)	BU=Blue
Stranded: 24-14 Awg (0.2-2.1mm ²)	GY=Gray
	YG=Yellow/Green

ADAM-P/N	Color
REB-B3B-OR	ORANGE
REB-B3B-BU	BLUE
REB-B3B-GY	GRAY
REB-B3B-YG	YELLOW/GREEN

UNLESS OTHERWISE SPECIFIED ALL DIMENSIONS ARE INCHES [MM]. TOLERANCES: EXCEPT AS NOTED		
INCHES		HOLES
.x	± .10	∅x ± .10
.xx	± .020	∅xx ± .015
.xxx	± .015	∅xxx ± .010



909 Rahway Avenue,
 Union, NJ 07083
 Phone: 908-687-5000
 Fax: 908-687-5710

DRAWN	JJ	10/7/22
CHECKED	RC	10/7/22
APPROVED		
THIS DRAWING CONTAINS INFORMATION THAT IS PROPRIETARY AND SHOULD NOT BE USED WITHOUT PRIOR WRITTEN PERMISSION FROM ADAM TECH		

TITLE		
DIN RAIL TERMINAL BLOCKS, GUV 3 HOLE, 2.5 FLEXIBLE		
SIZE	PART NO.	REV.
X	REB-B3B-XX	A
REF:	S00067C	SCALE: NTS SHEET 1 OF 1