

6

5

4

3

2

1

APPROVED: \_\_\_\_\_  
DATE: \_\_\_\_\_ TITLE: \_\_\_\_\_

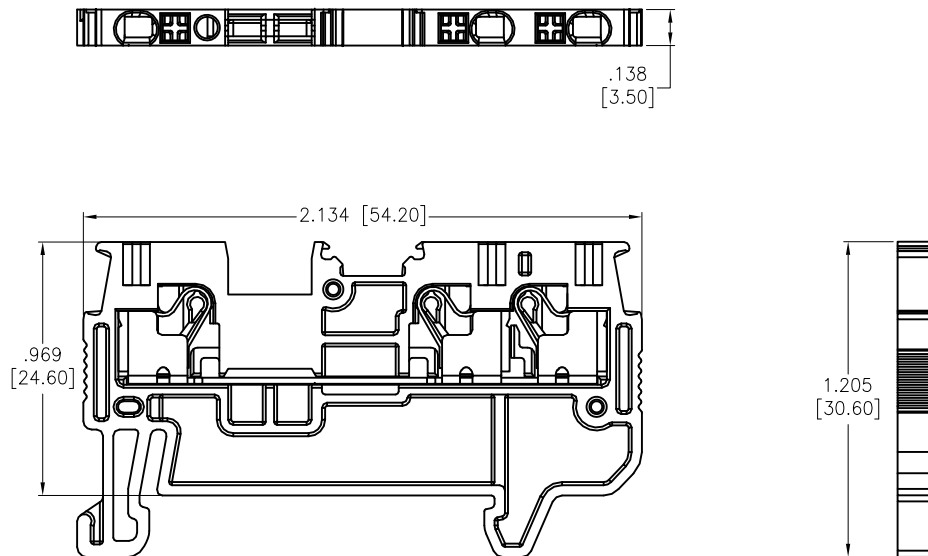
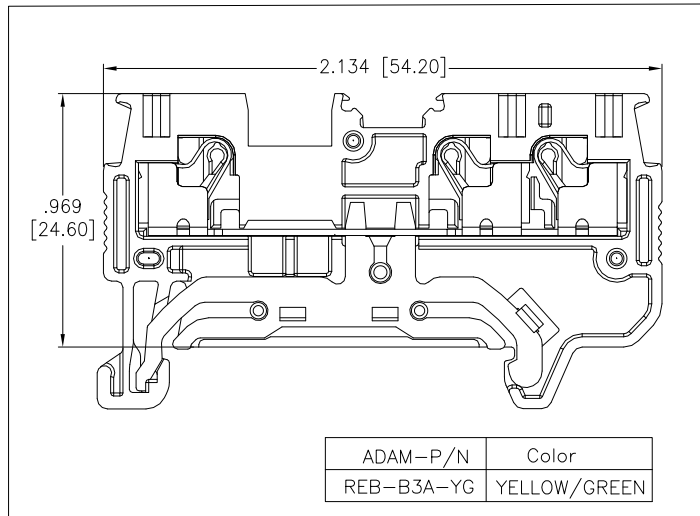
Rev	AWO #	Description	Date	Appr
-		RELEASED	10/7/22	
A		UPDATE SPEC.	9/8/23	LH/RC

D

D

C

C



B

B

**SPECIFICATIONS:**

**Material:**

Insulator: PA66, rated UL 94V-0

Insulator Color: See Chart

Contacts: Copper Alloy, Tin Plated

**Electrical:**

Voltage rating: 300 VAC

Current rating: 15 Amp

Dielectric withstanding voltage: 1600 VAC for 1 minute

**Mechanical:**

**Recommended Wire Size:**

Solid: 24-16AWG (0.2-1.3mm<sup>2</sup>)

Stranded: 24-16AWG (0.2-1.3mm<sup>2</sup>)

Stripping Length: .315"-.394" (8-10mm)

**Temperature Rating:**

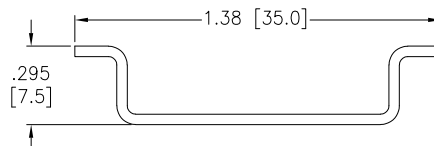
Operating temperature: -40°C to +105°C

**Environmental:**

Lead free, RoHS compliant.



**RECOMMENDED RAIL SIZE**  
35.0mm X 7.5mm



REB-B 3 A -XX

Solid/Stranded:	Color
24-16 Awg (0.2-1.3mm <sup>2</sup> )	OR=Orange
	BU=Blue
	GY=Gray
	YG=Yellow/Green

ADAM-P/N	Color
REB-B3A-OR	ORANGE
REB-B3A-BU	BLUE
REB-B3A-GY	GRAY
REB-B3A-YG	YELLOW/GREEN

A

A

UNLESS OTHERWISE SPECIFIED ALL DIMENSIONS ARE INCHES [MM]. TOLERANCES: EXCEPT AS NOTED

INCHES		HOLES	
.x	± .10	∅x	± .10
.xx	± .020	∅xx	± .015
.xxx	± .015	∅xxx	± .010



909 Rahway Avenue,  
Union, NJ 07083  
Phone: 908-687-5000  
Fax: 908-687-5710

DRAWN	JJ	10/7/22
CHECKED	RC	10/7/22
APPROVED		

TITLE  
DIN RAIL TERMINAL BLOCKS, GUV 3 HOLE, 1.5 FLEXIBLE

THIS DRAWING CONTAINS INFORMATION THAT IS PROPRIETARY AND SHOULD NOT BE USED WITHOUT PRIOR WRITTEN PERMISSION FROM ADAM TECH

SIZE X	PART NO. REB-B3A-XX	REV. A
REF: S00067C	SCALE: NTS	SHEET 1 OF 1

6

5

4

3

2

1