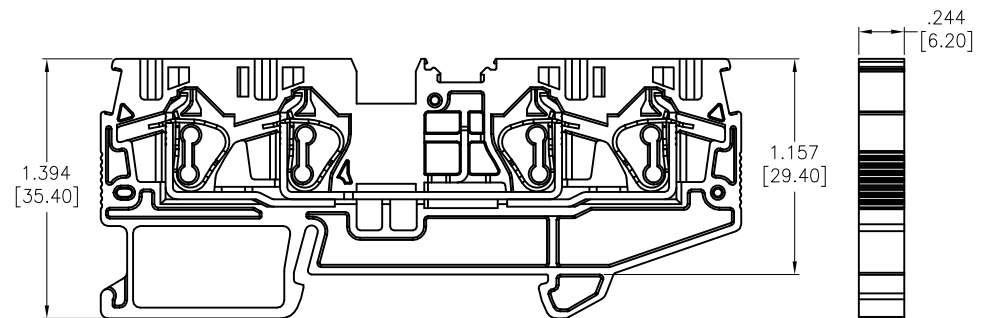
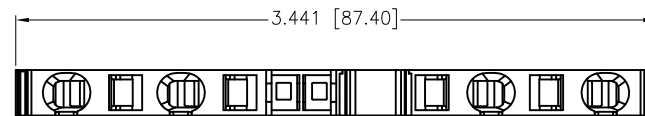
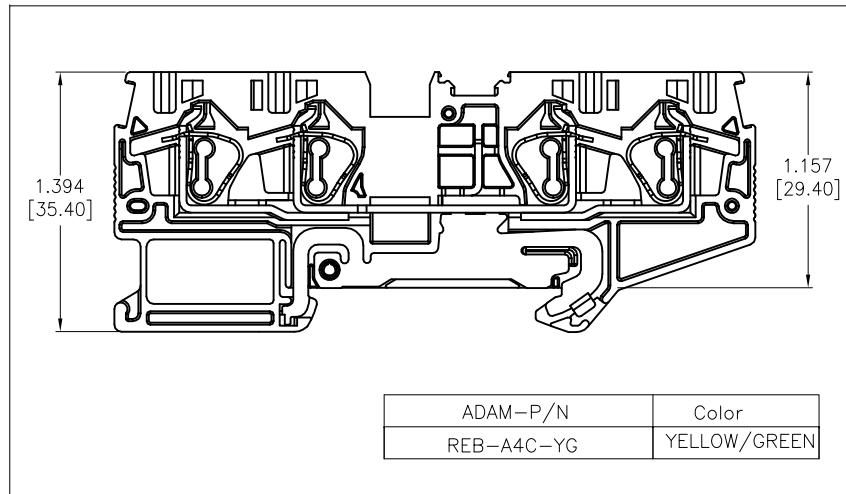


APPROVED: _____
 DATE: _____ TITLE: _____

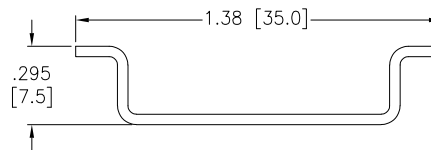
Rev	AWO #	Description	Date	Appr
-		RELEASED	10/7/22	
A		UPDATE SPEC.	9/8/23	LH/RC



RECOMMENDED RAIL SIZE
 35.0mm X 7.5mm

Color
OR=Orange
BU=Blue
GY=Gray
YG=Yellow/Green

ADAM-P/N	Color
REB-A4C-BU	BLUE
REB-A4C-GY	GRAY
REB-A4C-YG	YELLOW/GREEN



SPECIFICATIONS:
Material:
 Insulator: PA66, rated UL 94V-0
 Insulator color: See chart
 Contacts: Copper Alloy, Tin Plated
Electrical:
 Voltage rating: 600V
 Current rating: 30A
 Dielectric withstanding voltage: 2,200 VAC for 1 minute
Mechanical:
 Recommended Wire Size:
 Solid: 24-10AWG (0.2-5.3mm²)
 Stranded: 24-12AWG (0.2-3.3mm²)
 Stripping Length: .315"~.394" (8-10mm)
 Temperature Rating:
 Operating temperature: -40°C to +105°C
Environmental:
 Lead free, RoHS compliant.



UNLESS OTHERWISE SPECIFIED ALL DIMENSIONS ARE INCHES [MM]. TOLERANCES: EXCEPT AS NOTED

INCHES		HOLES	
.x	±.10	∅x	±.10
.xx	±.020	∅xx	±.015
.xxx	±.015	∅xxx	±.010

DRAWN	WX	10/7/22
CHECKED	RC	10/7/22
APPROVED		

THIS DRAWING CONTAINS INFORMATION THAT IS PROPRIETARY AND SHOULD NOT BE USED WITHOUT PRIOR WRITTEN PERMISSION FROM ADAM TECH



909 Rahway Avenue,
 Union, NJ 07083
 Phone: 908-687-5000
 Fax: 908-687-5710

TITLE DIN RAIL TERMINAL BLOCKS, GUS, 4HOLE, 4.0 FLEXIBLE		
SIZE X	PART NO. REB-A4C-XX	REV. A
REF: S00067C	SCALE: NTS	SHEET 1 OF 1