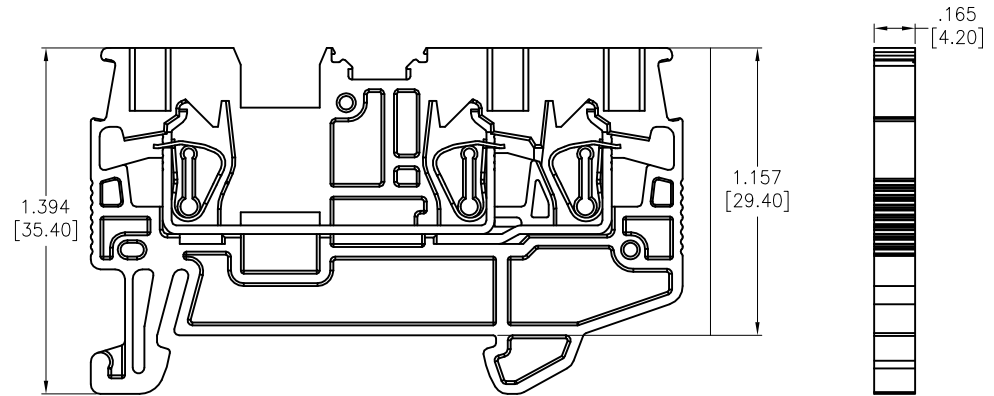
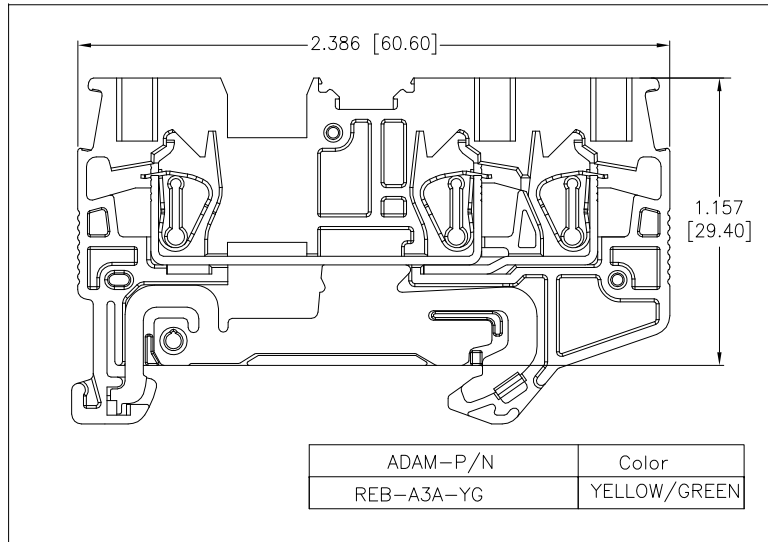
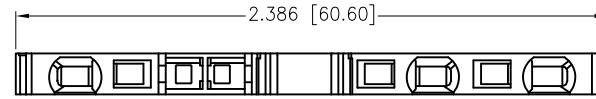


APPROVED: _____
 DATE: _____ TITLE: _____

Rev	AWO #	Description	Date	Appr
-		RELEASED	10/7/22	
A		UPDATE SPEC.	9/8/23	LH/RC

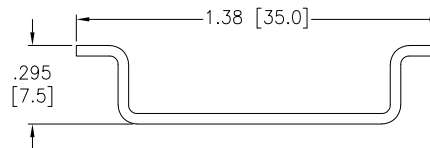


SPECIFICATIONS:

Material:
 Insulator: PA66, rated UL 94V-0
 Insulator color: See chart
 Contacts: Copper Alloy, Tin Plated
Electrical:
 Voltage rating: 300V
 Current rating: 15A
 Dielectric withstanding voltage: 1,600 VAC for 1 minute
Mechanical:
 Recommended Wire Size:
 Solid: 24-16AWG (0.2-1.3mm²)
 Stranded: 24-16AWG (0.2-1.3mm²)
 Stripping Length: .315"-.394" (8-10mm)
 Temperature Rating:
 Operating temperature: -40°C to +105°C
Environmental:
 Lead free, RoHS compliant.



RECOMMENDED RAIL SIZE
 35.0mm X 7.5mm



ADAM-P/N	Color
REB-A3A-BU	BLUE
REB-A3A-GY	GRAY
REB-A3A-YG	YELLOW/GREEN

ADAM-P/N	Color
REB-A3A-BU	BLUE
REB-A3A-GY	GRAY
REB-A3A-YG	YELLOW/GREEN

UNLESS OTHERWISE SPECIFIED ALL DIMENSIONS ARE INCHES [MM]. TOLERANCES: EXCEPT AS NOTED

INCHES		HOLES	
.x	± .10	∅x	± .10
.xx	± .020	∅xx	± .015
.xxx	± .015	∅xxx	± .010



909 Rahway Avenue,
 Union, NJ 07083
 Phone: 908-687-5000
 Fax: 908-687-5710

DRAWN	WX	10/7/22
CHECKED	RC	10/7/22
APPROVED		

TITLE
 DIN RAIL TERMINAL BLOCKS, GUS, 3HOLE, 1.5 FLEXIBLE

THIS DRAWING CONTAINS INFORMATION THAT IS PROPRIETARY AND SHOULD NOT BE USED WITHOUT PRIOR WRITTEN PERMISSION FROM ADAM TECH

SIZE	PART NO.	REV.
X	REB-A3A-XX	A
REF:	S00067C	SCALE: NTS
		SHEET 1 OF 1