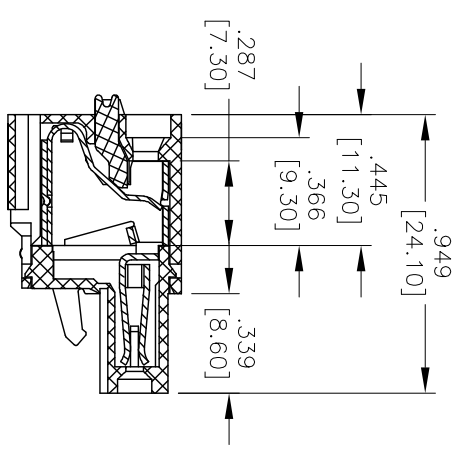
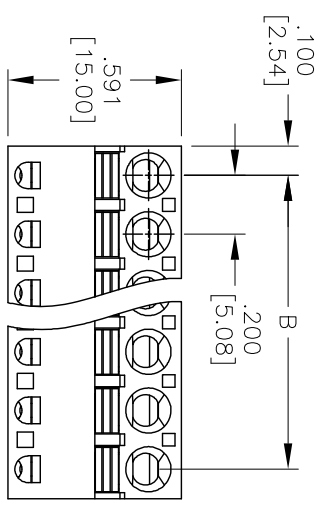
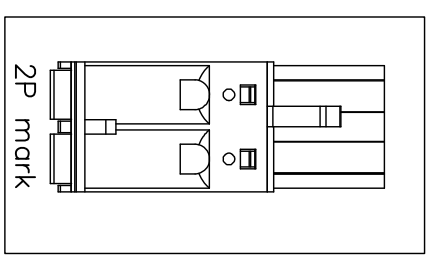
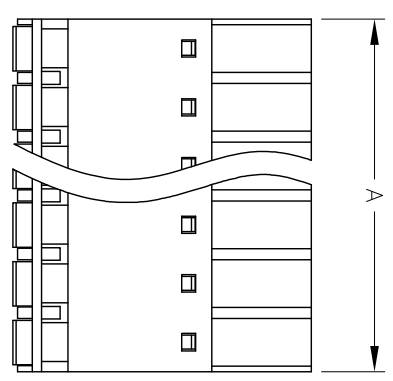


Rev	AWO #	Description	Date	Appr
-		RELEASED	8/17/11	

APPROVED: _____
 DATE: _____ TITLE: _____



SPECIFICATIONS:

Material:
 Insulator: Thermoplastic, rated UL 94V-0
 Insulator color: Green
 Wire guard: Stainless Steel
 Contact: Phosphor Bronze, Tin plated

Electrical:
 Operation voltage: 300 VAC
 Current rating: 10 Amps
 Solid wire (AWG): 12-26
 Stranded wire (AWG): 12-26
 Wire strip length: 8-9mm
 Withstanding Voltage: 1.6KV

Environmental:
 Operating temperature: -40°C to +115°C
 Lead free, RoHS compliant.
 Recommended soldering temp: 250°C for 5 sec.

Poles: 2 thru 24
 A = .200 [5.08] X No. of Positions
 B = .200 [5.08] X No. of Spaces

UNLESS OTHERWISE SPECIFIED
 ALL DIMENSIONS ARE MM [INCHES]
 TOLERANCES: EXCEPT AS NOTED
 INCHES

.X	± .10	ØXX	± .10
.XX	± .020	ØXXX	± .015
.XXX	± .015	ØXXXX	± .010

ADAM TECH
 909 Rahway Avenue, Union, NJ 07083
 Phone: 908-687-5000 Fax: 908-687-5710

TITLE: EURO BLOCK, 200 [5.08] PITCH

APPROVALS	DATE	SIZE	PART NO.	REV.
DRAWN TW	8/17/11	X	EB2-XX-M-D-CSD	-
CHECKED AY	8/17/11	X		
APPROVED		REF: S00007T	SCALE: NTS	SHEET 1 OF 1



6 5 4 3 2 1