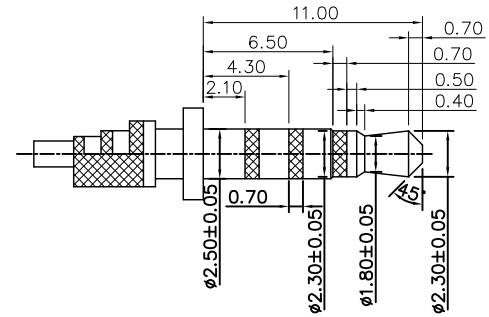
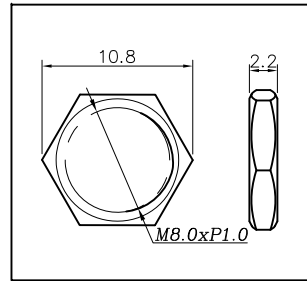
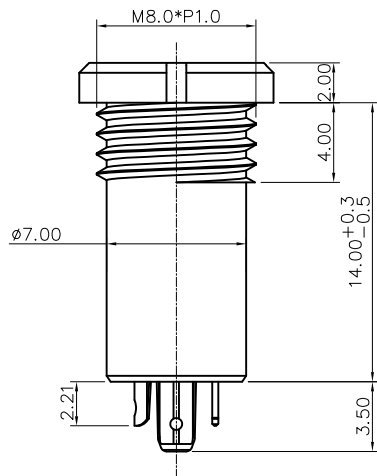
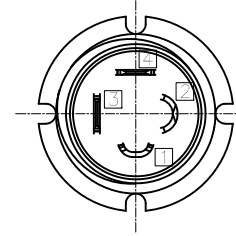
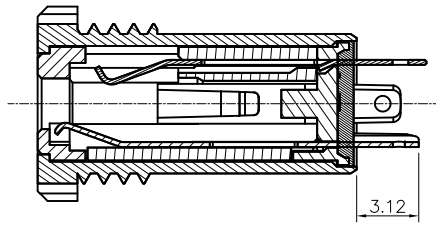
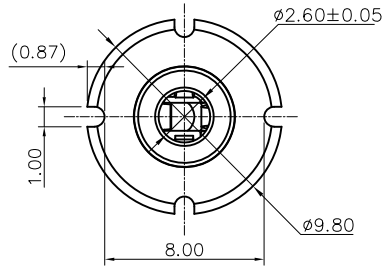


APPROVED: _____
 DATE: _____ TITLE: _____

Rev	AWO #	Description	Date	Appr
-		RELEASED	6/17/22	



RECOMMENDED PLUG
 Ø2.5 4-POLE STANDARD PLUG

SPECIFICATIONS:

Material:
 Housing: (PA10T) Hi-Temp Thermoplastic, rated UL94V-0, Color: Black
 Spring: Phosphor Bronze, Silver plated
 Tip Spring: Steel Alloy, Silver plated
 Bushing: Copper Alloy, Nickel plated
 Electrical:

Rating: 30VDC, 0.5A
 Contact Resistance: 100 mohm max.
 Insulation Resistane: 100 Mohm min. @ 500 VDC
 Dielectric withstanding voltage: 500 VAC
 Temperature Rating:

Operating temperature: -20°C to +70°C
 Environmental:

Waterproof Resistant
 Lead free, RoHS compliant.



Model No.	ASJ-203C-M-WP-HDW
Schematic	

UNLESS OTHERWISE SPECIFIED ALL DIMENSIONS ARE MILLIMETERS. TOLERANCES: EXCEPT AS NOTED

MM	ANGLES
.X ± .38	X ± 5°
.XX ± .30	.X ± 3°
.XXX ± .15	.XX ± 2°



909 Rahway Avenue,
 Union, NJ 07083
 Phone: 908-687-5000
 Fax: 908-687-5710

DRAWN	JJ	6/17/22
CHECKED	TW	6/17/22
APPROVED		

TITLE	STEREO JACK, 2.5mm, WATER RESISTANT		
SIZE	PART NO.	REV.	
X	ASJ-203C-M-WP-HDW	-	

THIS DRAWING CONTAINS INFORMATION THAT IS PROPRIETARY AND SHOULD NOT BE USED WITHOUT PRIOR WRITTEN PERMISSION FROM ADAM TECH

REF:	S00002C	SCALE:	NTS	SHEET	1 OF 1
------	---------	--------	-----	-------	--------