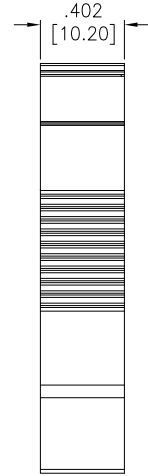
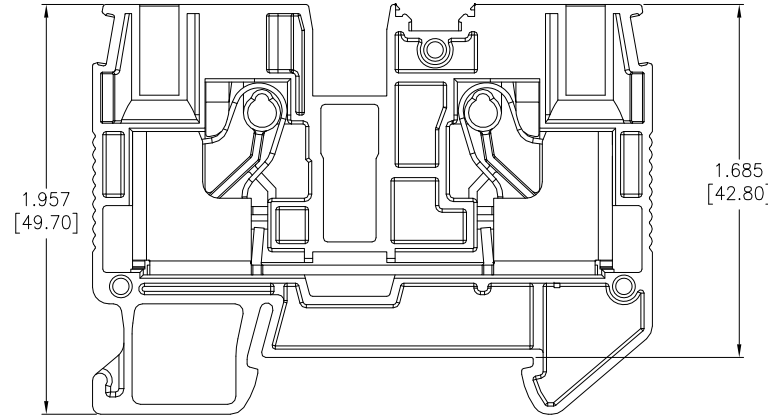
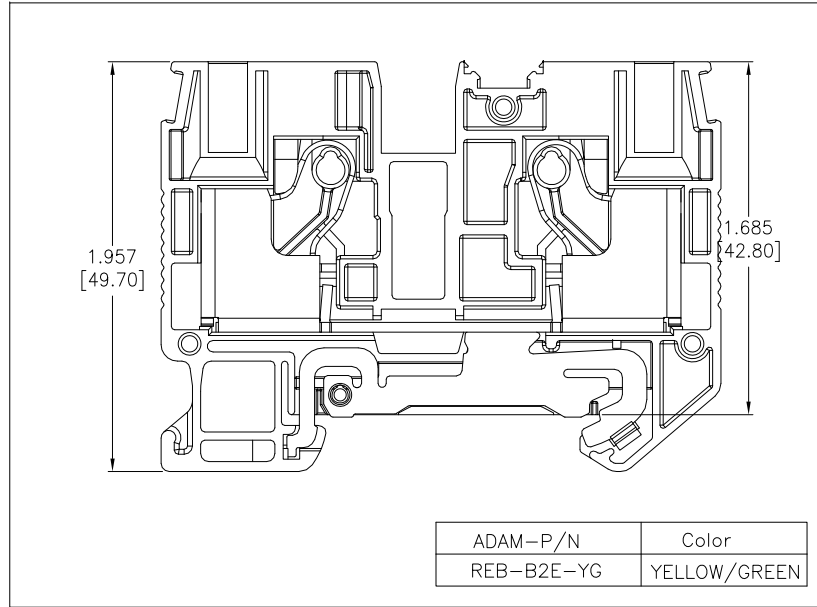


APPROVED: \_\_\_\_\_  
 DATE: \_\_\_\_\_ TITLE: \_\_\_\_\_

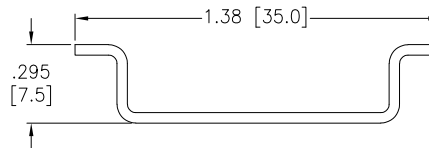
Rev	AWO #	Description	Date	Appr
-		RELEASED	10/7/22	
A		UPDATE SPEC.	9/8/23	LH/RC



**SPECIFICATIONS:**  
**Material:**  
 Insulator: PA66, rated UL 94V-0  
 Insulator Color: See Chart  
 Contacts: Copper Alloy, Tin Plated  
**Electrical:**  
 Voltage rating: 600 VAC  
 Current rating: 60 Amp  
 Dielectric withstanding voltage: 2200 VAC for 1 minute  
**Mechanical:**  
 Recommended Wire Size:  
 Solid: 24-6AWG (0.2-13.3mm<sup>2</sup>)  
 Stranded: 24-8AWG (0.2-8.3mm<sup>2</sup>)  
 Stripping Length: .709" (18mm)  
 Temperature Rating:  
 Operating temperature: -40°C to +105°C  
**Environmental:**  
 Lead free, RoHS compliant.



**RECOMMENDED RAIL SIZE**  
 35.0mm X 7.5mm



Color
OR=Orange
BU=Blue
GY=Gray
YG=Yellow/Green

REB-B 2 E -XX

Solid/Stranded:
Solid: 24-6 Awg (0.2-13.3mm <sup>2</sup> )
Stranded: 24-8 Awg (0.2-8.3mm <sup>2</sup> )

ADAM-P/N	Color
REB-B2E-OR	ORANGE
REB-B2E-BU	BLUE
REB-B2E-GY	GRAY
REB-B2E-YG	YELLOW/GREEN

UNLESS OTHERWISE SPECIFIED ALL DIMENSIONS ARE INCHES [MM]. TOLERANCES: EXCEPT AS NOTED

INCHES		HOLES	
.x	± .10	∅.x	± .10
.xx	± .020	∅.xx	± .015
.xxx	± .015	∅.xxx	± .010

**ADAM TECH** 909 Rahway Avenue,  
 Union, NJ 07083  
 Phone: 908-687-5000  
 Fax: 908-687-5710

DRAWN	WX	10/7/22
CHECKED	RC	10/7/22
APPROVED		

THIS DRAWING CONTAINS INFORMATION THAT IS PROPRIETARY AND SHOULD NOT BE USED WITHOUT PRIOR WRITTEN PERMISSION FROM ADAM TECH

TITLE		
DIN RAIL TERMINAL BLOCKS, GUV 2 HOLE, 10 FLEXIBLE		
SIZE	PART NO.	REV.
X	REB-B2E-XX	A
REF:	S00067C	SCALE: NTS SHEET 1 OF 1