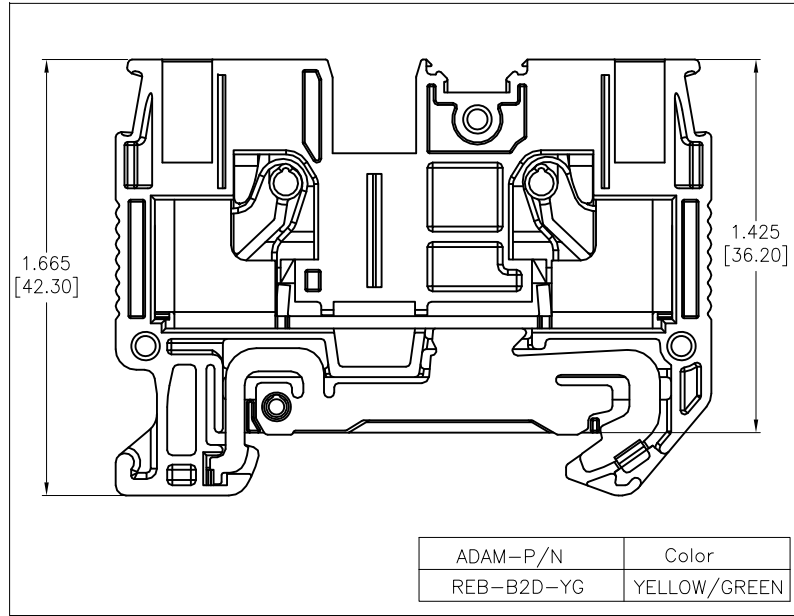
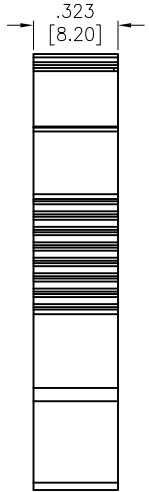
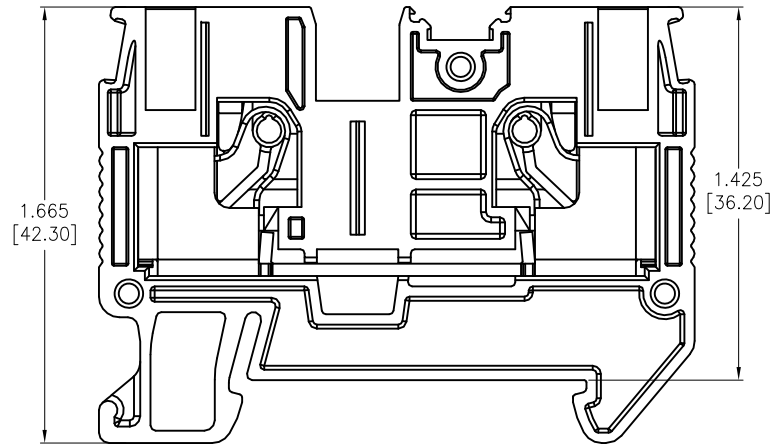
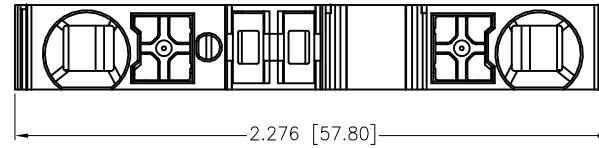


APPROVED: _____
 DATE: _____ TITLE: _____

Rev	AWO #	Description	Date	Appr
-		RELEASED	10/7/22	
A		UPDATE SPEC.	9/8/23	LH/RC



ADAM-P/N	Color
REB-B2D-YG	YELLOW/GREEN

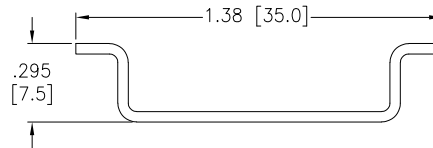


SPECIFICATIONS:

Material:
 Insulator: PA66, rated UL 94V-0
 Insulator Color: See Chart
 Contacts: Copper Alloy, Tin Plated
 Electrical:
 Voltage rating: 600 VAC
 Current rating: 40 Amp
 Dielectric withstanding voltage: 2200 VAC for 1 minute
 Mechanical:
 Recommended Wire Size:
 Solid: 24-8AWG (0.2-8.3mm²)
 Stranded: 24-10AWG (0.2-5.3mm²)
 Stripping Length: .394"~.472" (10-12mm)
 Temperature Rating:
 Operating temperature: -40°C to +105°C
 Environmental:
 Lead free, RoHS compliant.



RECOMMENDED RAIL SIZE
 35.0mm X 7.5mm



Color
OR=Orange
BU=Blue
GY=Gray
YG=Yellow/Green

ADAM-P/N	Color
REB-B2D-OR	ORANGE
REB-B2D-BU	BLUE
REB-B2D-GY	GRAY
REB-B2D-YG	YELLOW/GREEN

UNLESS OTHERWISE SPECIFIED ALL DIMENSIONS ARE INCHES [MM]. TOLERANCES: EXCEPT AS NOTED

INCHES		HOLES	
.x	± .10	∅x	± .10
.xx	± .020	∅xx	± .015
.xxx	± .015	∅xxx	± .010



909 Rahway Avenue,
 Union, NJ 07083
 Phone: 908-687-5000
 Fax: 908-687-5710

DRAWN	WX	10/7/22
CHECKED	RC	10/7/22
APPROVED		

TITLE
DIN RAIL TERMINAL BLOCKS, GUV 2 HOLE, 6.0 FLEXIBLE

THIS DRAWING CONTAINS INFORMATION THAT IS PROPRIETARY AND SHOULD NOT BE USED WITHOUT PRIOR WRITTEN PERMISSION FROM ADAM TECH

SIZE	PART NO.	REV.
X	REB-B2D-XX	A

REF: S00067C SCALE: NTS SHEET 1 OF 1