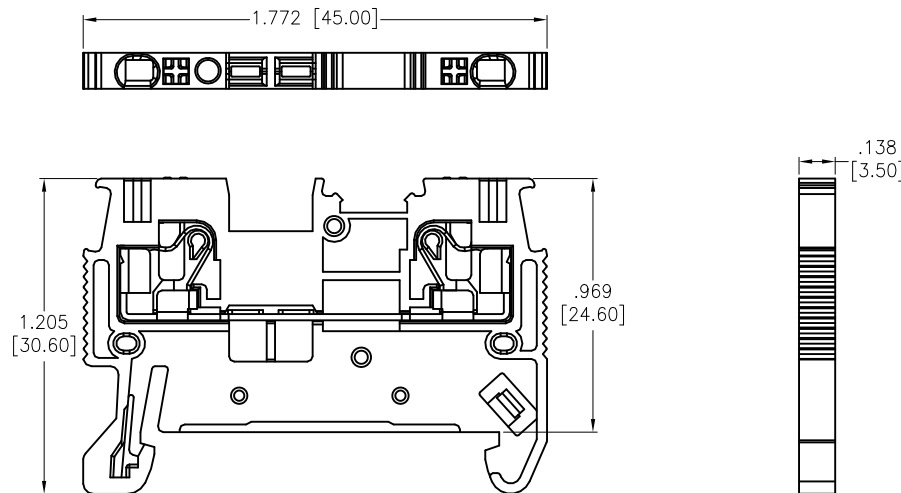
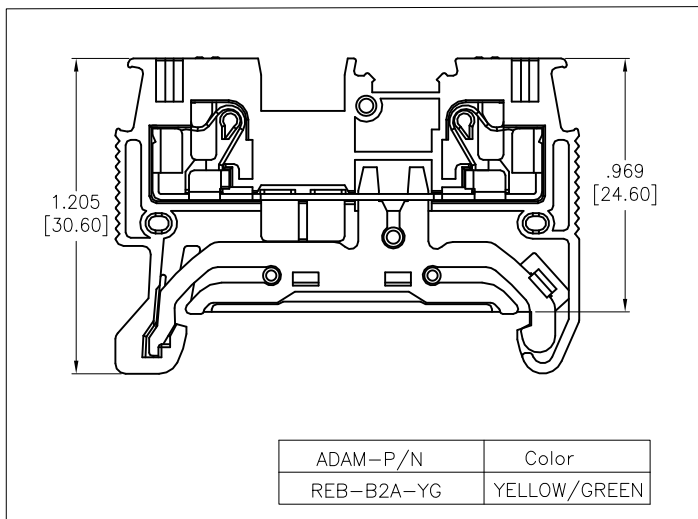


APPROVED: \_\_\_\_\_  
 DATE: \_\_\_\_\_ TITLE: \_\_\_\_\_

Rev	AWO #	Description	Date	Appr
-		RELEASED	10/7/22	
A		UPDATE SPEC.	9/8/23	LH/RC

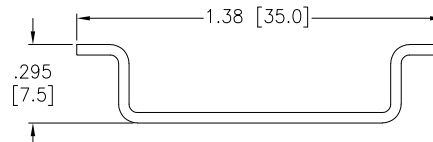


**SPECIFICATIONS:**

Material:  
 Insulator: PA66, rated UL 94V-0  
 Insulator Color: See Chart  
 Contacts: Copper Alloy, Tin Plated  
 Plating:  
 Electrical:  
 Voltage rating: 300 VAC max  
 Current rating: 15 Amp  
 Dielectric withstanding voltage: 1600 VAC for 1 minute  
 Mechanical:  
 Recommended Wire Size:  
 Solid: 24-16AWG (0.2-1.3mm<sup>2</sup>)  
 Stranded: 24-16AWG (0.2-1.3mm<sup>2</sup>)  
 Stripping Length: .315"-.394" (8-10mm)  
 Temperature Rating:  
 Operating temperature: -40°C to +105°C  
 Environmental:  
 Lead free, RoHS compliant.



RECOMMENDED RAIL SIZE  
 35.0mm X 7.5mm



REB-B 2 A -XX

Solid/Stranded:	Color
24-16 Awg (0.2-1.3mm <sup>2</sup> )	OR=Orange
	BU=Blue
	GY=Gray
	YG=Yellow/Green

ADAM-P/N	Color
REB-B2A-OR	ORANGE
REB-B2A-BU	BLUE
REB-B2A-GY	GRAY
REB-B2A-YG	YELLOW/GREEN

UNLESS OTHERWISE SPECIFIED ALL DIMENSIONS ARE INCHES [MM]. TOLERANCES: EXCEPT AS NOTED

INCHES		HOLES	
.x	±.10	∅x	±.10
.xx	±.020	∅xx	±.015
.xxx	±.015	∅xxx	±.010



909 Rahway Avenue,  
 Union, NJ 07083  
 Phone: 908-687-5000  
 Fax: 908-687-5710

DRAWN	JJ	10/7/22
CHECKED	RC	10/7/22
APPROVED		

TITLE  
 DIN RAIL TERMINAL BLOCKS, GUV 2 HOLE, 1.5 FLEXIBLE

THIS DRAWING CONTAINS INFORMATION THAT IS PROPRIETARY AND SHOULD NOT BE USED WITHOUT PRIOR WRITTEN PERMISSION FROM ADAM TECH

SIZE	PART NO.	REV.
X	REB-B2A-XX	A

REF: S00067C SCALE: NTS SHEET 1 OF 1