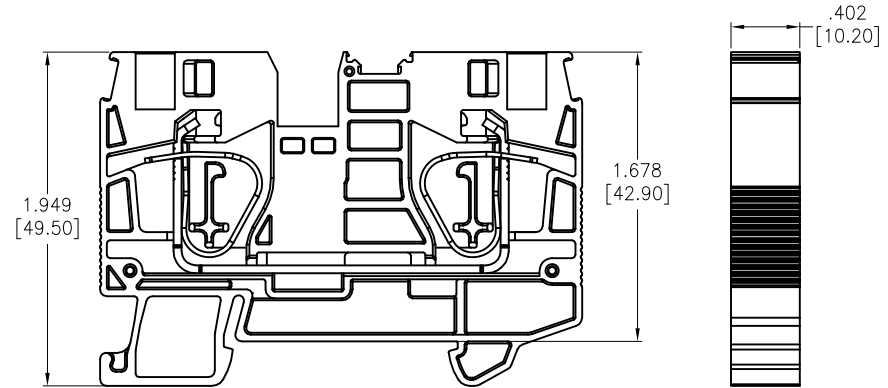
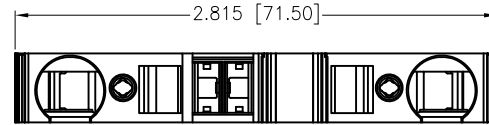
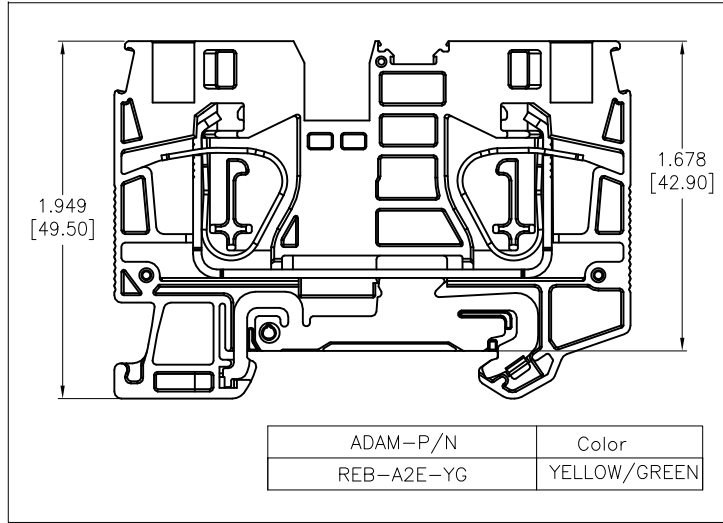
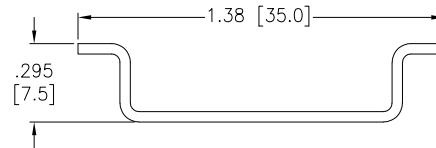


APPROVED: _____
 DATE: _____ TITLE: _____

Rev	AWO #	Description	Date	Appr
-		RELEASED	4/1/22	
A		UPDATE DRAWING	9/8/23	LH/RC



RECOMMENDED RAIL SIZE
 35.0mm X 7.5mm



Color
OR=Orange
BU=Blue
GY=Gray
YG=Yellow/Green

REB-A 2 E -XX

Solid/Stranded:
Solid: 24-12 Awg (0.2-3.3mm ²)
Stranded: 24-14 Awg (0.2-2.1mm ²)

ADAM-P/N	Color
REB-A2E-BU	BLUE
REB-A2E-GY	GRAY
REB-A2E-YG	YELLOW/GREEN

SPECIFICATIONS:
 Material:
 Insulator: PA66, rated UL 94V-0
 Insulator color: See chart
 Contacts: Copper Alloy, Tin Plated
 Electrical:
 Voltage rating: 600V
 Current rating: 65A
 Dielectric withstanding voltage: 2,200 VAC for 1 minute
 Mechanical:
 Recommended Wire Size:
 Solid: 24-12AWG (0.2-3.3mm²)
 Stranded: 24-14AWG (0.2-2.1mm²)
 Stripping Length: .709" (18mm)
 Temperature Rating:
 Operating temperature: -40°C to +105°C
 Environmental:
 Lead free, RoHS compliant.



UNLESS OTHERWISE SPECIFIED ALL DIMENSIONS ARE INCHES [MM]. TOLERANCES: EXCEPT AS NOTED

INCHES		HOLES	
.x	± .10	∅x	±.10
.xx	± .020	∅xx	±.015
.xxx	± .015	∅xxx	±.010

ADAM TECH 909 Rahway Avenue,
 Union, NJ 07083
 Phone: 908-687-5000
 Fax: 908-687-5710

DRAWN	WX	10/7/22
CHECKED	RC	10/7/22
APPROVED		

TITLE
 DIN RAIL TERMINAL BLOCKS, GUS, 2HOLE, 10.0 FLEXIBLE

THIS DRAWING CONTAINS INFORMATION THAT IS PROPRIETARY AND SHOULD NOT BE USED WITHOUT PRIOR WRITTEN PERMISSION FROM ADAM TECH

SIZE	PART NO.	REV.
X	REB-A2E-XX	A
REF: S00067C	SCALE: NTS	SHEET 1 OF 1