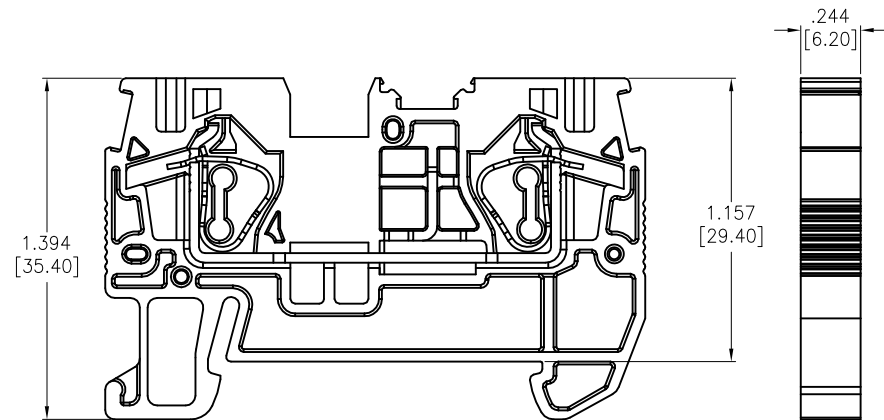
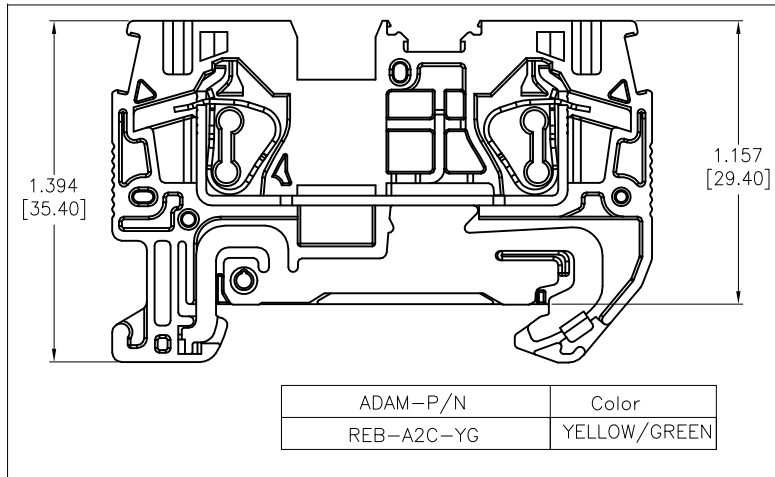
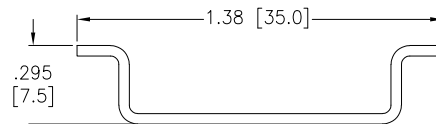


APPROVED: _____
 DATE: _____ TITLE: _____

Rev	AWO #	Description	Date	Appr
-		RELEASED	10/7/22	
A		UPDATE SPEC.	9/8/23	LH/RC



RECOMMENDED RAIL SIZE
 35.0mm X 7.5mm



Color
OR=Orange
BU=Blue
GY=Gray
YG=Yellow/Green

REB-A 2 C -XX

Solid/Stranded:
Solid: 24-10 Awg (0.2-5.3mm ²)
Stranded: 24-12 Awg (0.2-3.3mm ²)

ADAM-P/N	Color
REB-A2C-BU	BLUE
REB-A2C-GY	GRAY
REB-A2C-YG	YELLOW/GREEN

SPECIFICATIONS:

Material:
 Insulator: PA66, rated UL 94V-0
 Insulator color: See chart
 Contacts: Copper Alloy, Tin Plated
Electrical:
 Voltage rating: 600V
 Current rating: 30A
 Dielectric withstanding voltage: 2,200 VAC for 1 minute
Mechanical:
 Recommended Wire Size:
 Solid: 24-10AWG (0.2-5.3mm²)
 Stranded: 24-12AWG (0.2-3.3mm²)
 Stripping Length: .315"~.394" (8-10mm)
 Temperature Rating:
 Operating temperature: -40°C to +105°C
Environmental:
 Lead free, RoHS compliant.



UNLESS OTHERWISE SPECIFIED ALL DIMENSIONS ARE INCHES [MM]. TOLERANCES: EXCEPT AS NOTED

INCHES		HOLES	
.x	±.10	∅x	±.10
.xx	±.020	∅xx	±.015
.xxx	±.015	∅xxx	±.010



909 Rahway Avenue,
 Union, NJ 07083
 Phone: 908-687-5000
 Fax: 908-687-5710

DRAWN	WX	10/7/22
CHECKED	RC	10/7/22
APPROVED		

TITLE		
DIN RAIL TERMINAL BLOCKS, GUS, 2HOLE, 4.0 FLEXIBLE		
SIZE	PART NO.	REV.
X	REB-A2C-XX	A
REF:	S00067C	SCALE: NTS
		SHEET 1 OF 1

THIS DRAWING CONTAINS INFORMATION THAT IS PROPRIETARY AND SHOULD NOT BE USED WITHOUT PRIOR WRITTEN PERMISSION FROM ADAM TECH