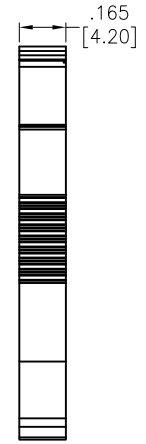
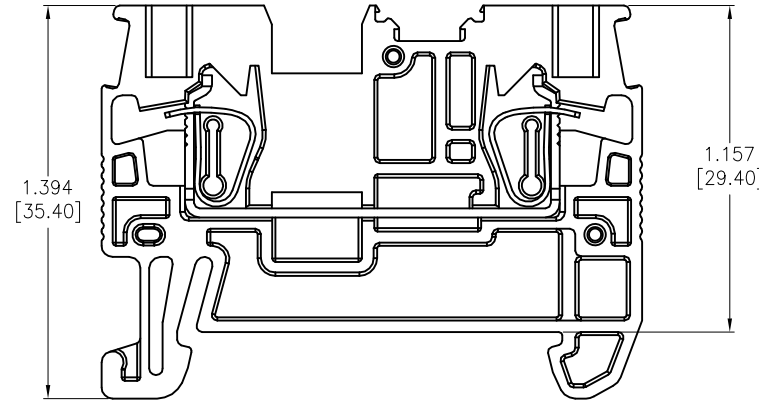
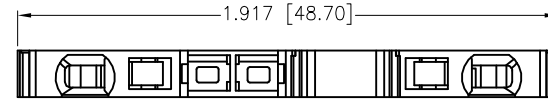
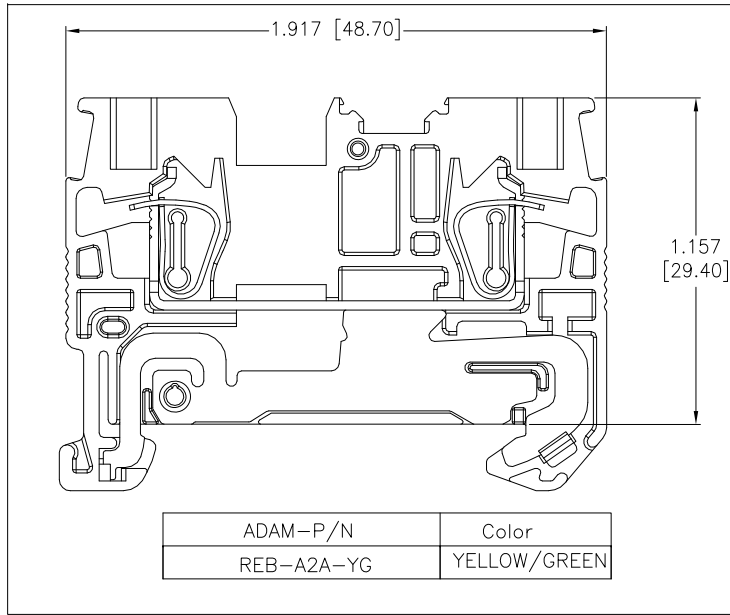


APPROVED: \_\_\_\_\_

DATE: \_\_\_\_\_ TITLE: \_\_\_\_\_

Rev	AWO #	Description	Date	Appr
-		RELEASED	10/7/22	
A		UPDATE SPEC	9/8/23	LH/RC

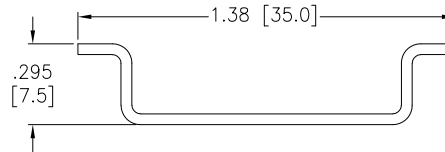


**SPECIFICATIONS:**

Material:  
 Insulator: PA66, rated UL 94V-0  
 Insulator color: See chart  
 Contacts: Copper Alloy, Tin Plated  
 Electrical:  
 Voltage rating: 300V  
 Current rating: 15A  
 Dielectric withstanding voltage: 1,600 VAC for 1 minute  
 Mechanical:  
 Recommended Wire Size:  
 Solid: 24-16AWG (0.2-1.5mm<sup>2</sup>)  
 Stranded: 24-16AWG (0.2-1.5mm<sup>2</sup>)  
 Stripping Length: .315"-.394" (8-10mm)  
 Temperature Rating:  
 Operating temperature: -40°C to +105°C  
 Environmental:  
 Lead free, RoHS compliant.



**RECOMMENDED RAIL SIZE**  
35.0mm X 7.5mm



REB-A 2 A -XX

CSA (Cross Sectional Area)	Color
Solid/Stranded	OR=Orange
24-16 Awg (0.2-1.5mm <sup>2</sup> )	BU=Blue
	GY=Gray
	YG=Yellow/Green

ADAM-P/N	Color
REB-A2A-BU	BLUE
REB-A2A-GY	GRAY
REB-A2A-YG	YELLOW/GREEN

UNLESS OTHERWISE SPECIFIED ALL DIMENSIONS ARE INCHES [MM]. TOLERANCES: EXCEPT AS NOTED

INCHES		HOLES	
.X	± .10	∅X	±.10
.XX	± .020	∅XX	±.015
.XXX	± .015	∅XXX	±.010

DRAWN	WX	10/7/22
CHECKED	RC	10/7/22
APPROVED		

THIS DRAWING CONTAINS INFORMATION THAT IS PROPRIETARY AND SHOULD NOT BE USED WITHOUT PRIOR WRITTEN PERMISSION FROM ADAM TECH

**ADAM TECH**  
 909 Rahway Avenue,  
 Union, NJ 07083  
 Phone: 908-687-5000  
 Fax: 908-687-5710

TITLE DIN RAIL TERMINAL BLOCKS, GUS, 2HOLE, 24-16 AWG		
SIZE X	PART NO. REB-A2A-XX	REV. A
REF: S00067C	SCALE: NTS	SHEET 1 OF 1